

DAGR[®] by DEVILBISS

Service Bulletin
SB-2-055-F
Replaces SB-2-055-E

AIRBRUSH INSTRUCTIONS AND MAINTENANCE

Thank you for purchasing your DeVilbiss DAGR[®] airbrush! You will find that this high quality, versatile airbrush gives the demanding professional artist the full range of performance—from spraying fine lines to wide backgrounds—with a wide range of materials—from solvent-based automotive paints to waterbase inks.

DAGR airbrushes are precision made with micro machining and high quality materials. Each airbrush is spray tested before being packaged in its collector's tin, assuring that it meets the tough quality standards you have come to expect from DeVilbiss. With proper care, your DAGR airbrush will provide you with excellent performance to express your creativity.

SPECIFICATIONS

Operating Pressures:

20 to 50 psi

Maximum Inlet Pressure:

175 psi

Airbrush Plating:

Nickel, copper, chrome

Needle Packing:

PTFE (solvent-proof)

GET READY TO SPRAY

SAFETY FIRST

Please read all safety information on pages 8 and 9.

Connect to Compressed Air

Connect your DAGR airbrush to a regulated air line or select an appropriate compressor. The DeVilbiss Airblade[®] single piston compressor is a compact, economical choice for the beginner and will provide approximately 25-30 psi of air pressure to the DAGR airbrush. At 35-40 psi, the DAGR will produce a high paint flow for shadow, fade, and background spray, as well as for detail work and fine lines.

Assemble Airbrush to Compressor

Connect the air hose to the compressor and airbrush, then turn on the compressor. If using an Airblade® compressor, adjust the pressure to between 20 and 30 psi. Listen for any air leaks in the compressor or air hose fittings. Point the airbrush away from you and press down on the trigger (#13) to start the flow of air through the airbrush. Place a small amount of solvent or cleaner into the cup and pull back on the trigger. This will clean out any residual factory testing material that may still be in the airbrush.

Mix Paint and Fill the Removable Cup

Follow the paint manufacturer's instructions and thin the paint with its proper solvent. Filter it through a nylon mesh strainer. It is best to "over-reduce" or prepare the paint relatively thin and make continuous passes across your work to achieve the desired shade. This will also decrease paint buildup on the needle and cleaning time. The DAGR features a removable cup. Depending on the amount of paint you wish to spray, use the standard 1/3 oz. (9 cc) cup or select an optional 1/4 oz. (7 cc) or 1/2 oz. (14 cc) cup. For small amounts of material, simply remove the cup and fill the cup socket,

which will give you best visibility for close-up work.

GENERAL OPERATION

The DAGR is a double action airbrush for fine control. Push the trigger down for air flow and pull the trigger back for paint flow. For best results during spraying, keep air flow even when you have stopped paint flow.

Air Pressure Range

Working pressures vary between 20 and 50 psi, depending on what type of work is being done, what spray characteristics are desired, and paint viscosity. Generally, thicker paints or higher paint flow will require higher pressures.

Spraying Fine Lines and Detail

To spray a fine line or detail, press the trigger down for air flow and pull it back slightly for paint flow while moving the airbrush very close to the surface. Control the thickness of the line by adjusting the distance between the airbrush and the surface and by adjusting the amount of paint flow with the trigger. An even finer line can be achieved by carefully removing

the crown cap (#1) and moving the airbrush closer to the surface.

NOTE: The needle and nozzle are very finely machined. A slight bend on the tip of the needle can result in an uneven pattern. The crown cap protects the needle yet still allows fine lines to be sprayed.

Wide Lines, Fades, and Background Spraying

For wider lines, fades, and background spraying, pull the trigger further back for more paint flow. Increase the distance between the airbrush and artwork up to six inches to control the line width. Increasing the air pressure will also affect the spray width. The DAGR will spray a background width of approximately two inches. Speed of movement controls the density of the color and fading effects.

Spraying Lines Without Heavy Ends

To spray a fine or wide line without heavy ends, start moving the airbrush with the trigger pushed down for air. Then pull the trigger back for paint flow at the beginning of the line and stop paint flow at the end, but continue the motion of the airbrush.

Stippling (Dots)

Stippling (coarse or fine dots) can add special textured effects to artwork. Simply remove the crown cap (#1) and air cap (#2) and adjust the air pressure between 5 and 50 psi. Lower air pressure will produce coarse dots; higher pressure will produce fine dots. Paint viscosity affects stippling, as well.

Removing Clogs

The cutaway handle (#21) allows the artist to remove paint buildup from the tip of the airbrush without removing the handle and needle. Just grip the exposed needle locknut (#19) and pull back while pushing down on the trigger (#13). More paint will flow past the needle and tip, clearing the clog.

Another method is to keep a second airbrush nearby that has solvent in the cup and use it to spray the nozzle/needle tip.

A third method is to increase the air pressure and spray solvent through the airbrush for a short period.

Crown Cap

The crown cap (#1) is used to protect the needle when spraying a fine line and to prevent paint build-up and spitting when spraying large backgrounds.

Pre-Set Handle

The pre-set handle (#21) has a threaded adjusting knob (#23) on the back that limits the amount of the trigger pull back and needle movement. This controls the amount of paint being sprayed. Reference markers are on the knob.

CLEANING AND LUBRICATION

Before Each Spray Session

Spray the appropriate solvent or cleaner through the airbrush to make sure it is working properly.

To Clean Between Color Changes

Empty the excess paint left in the cup. Rinse the cup with solvent and use a paper towel to wipe out any left over paint. Fill the bottom of the cup with solvent and spray it through until the spray is clear. Fill with the next color.

After Each Spray Session

Increase the air pressure and spray cleaning solution through the airbrush. This will help thoroughly clean the paint passages, nozzle, and needle. Remove the needle and wipe it clean (see below).

Wipe down the outside of the airbrush with a solvent-dampened cloth, and soak the crown cap, if needed.

Do not soak the airbrush body in solvent unless the air valve has been disassembled and removed. The air valve o-ring could swell and cause air flow problems.

To Clean the Needle

Remove the back handle, loosen the needle locknut (#19), and remove the needle (#20). Using a soft cloth folded over the needle, wipe the residue off the needle by rotating it. Inspect the needle. If it is bent or mis-shapen, replace it.

Holding the trigger down, carefully re-insert the needle into the airbrush near the back and push gently until it seats against the nozzle and is visible through the tip. You should feel a slight resistance as the needle passes through the packing (#6).

If the needle stops suddenly, pull it out and check the trigger for proper positioning, then re-insert the needle. Release the trigger and tighten the needle locknut.

Lubrication

To insure smooth trigger action, periodically remove the needle and coat it with a high-quality lubricant (like DeVilbiss SSL-10 Spray Lube). Wipe the needle with a soft cloth, leaving it lightly coated. Re-insert the needle and re-tighten the needle locknut. Place a few drops of lube in the trigger slot in the airbrush body.

NOTE: Do not use WD-40® or light machine oil for lubrication, which will cause the needle to bind as it moves through the PTFE packing. Do not over-lubricate the needle or the trigger. The excess lube could be pushed into the nozzle, causing paint flow problems.

REPLACEMENT PARTS AND ACCESSORIES

NOTE: If you must disassemble the airbrush, please do not use pliers. Tools are rarely needed. If needed, however, use a small wrench to unscrew and lightly re-

tighten the head cap (#3), which seats the nozzle on to the airbrush body. Do not overtighten!

Nozzle (#4)

If the nozzle becomes worn or damaged, it must be replaced. Before replacing the nozzle, protect the needle by pulling it back slightly. To do this, remove the handle (#21), loosen the needle locknut (#19), and carefully pull the needle back through the nozzle. Remove the head cap (#3) and pull out the nozzle. If it is stuck, loosen it by gently pushing the side of it with your thumb. Pull the nozzle off and replace it with the new one. Re-assemble the head cap and tighten it by hand or lightly with a wrench. Do not over tighten. Re-seat the needle into the nozzle by gently pushing it forward until it seats with the fluid nozzle. Tighten the needle locknut and continue reassembly.

NOTE: To insure even wear, change the needle at the same time as the nozzle.

Needle (#20)

DeVilbiss needles are made of precision machined stainless steel and are designed for long-term use. However, because of their long tapers and very fine tips they

can be easily damaged. If the needle point becomes bent or hooked, it should be straightened before being pulled back through the nozzle or the nozzle could become damaged. If the needle is not bent too badly, roll it between your finger and a smooth flat surface to straighten the point.

Quick Disconnect (Optional Accessory)

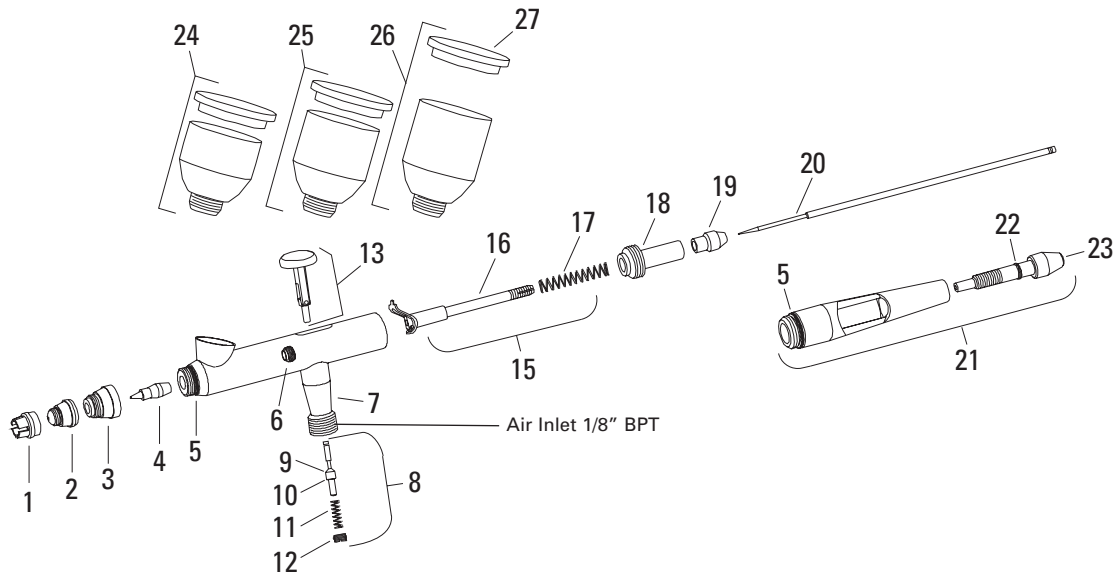
A quick disconnect stem is screwed on to each airbrush and a quick disconnect adapter is screwed on to the air hose. This allows for quick changes between airbrushes using one hose.

Hose

Use high quality, flexible DeVilbiss braided nylon air hose. Order DGR-123 (802769) 10' air hose assembly or DGR-124 (802770) 10' air hose assembly with quick disconnect.

TROUBLESHOOTING

CAUSE	CORRECTION	CAUSE	CORRECTION
Skipping: <ol style="list-style-type: none"> 1. Air pressure too high 2. Paint too thick 3. Airbrush is dirty 4. Nozzle not seated on body 5. Nozzle damaged or cracked 6. Dried paint on tip of needle 7. Nozzle not centered in air cap 	<ol style="list-style-type: none"> 1. Reduce pressure 2. Reduce with solvent 3. Refer to Cleaning in Maintenance Section 4. Tighten head cap (by hand or lightly with wrench) 5. Replace nozzle 6. Refer to "To Clean the Needle" 7. Clean nozzle & airbrush seats 	Will Not Spray: <ol style="list-style-type: none"> 1. Clogged nozzle 2. Loose head cap 3. Loose needle locknut 4. Improper air pressure 5. Paint too thick 6. Nozzle damaged or cracked 7. Vent hole in cup lid is plugged 	<ol style="list-style-type: none"> 1. Refer to "Cleaning and Lubrication" 2. Tighten (by hand or lightly with wrench) 3. Tighten 4. Adjust 5. Reduce with solvent 6. Replace nozzle 7. Unplug with toothpick or brush
Spitting: <ol style="list-style-type: none"> 1. Dried paint on tip of needle 2. Airbrush is dirty 3. Paint too thick 4. Air pressure too low 	<ol style="list-style-type: none"> 1. Refer to "To Clean the Needle" 2. Refer to "Cleaning and Lubrication" 3. Reduce with solvent 4. Increase air pressure 	Sprays Double Line: <ol style="list-style-type: none"> 1. Airbrush is dirty 2. Bent needle 3. Dirt on tip of nozzle or in air cap 4. Nozzle damaged or cracked 5. Dried paint on tip of needle 	<ol style="list-style-type: none"> 1. Refer to "Cleaning and Lubrication" 2. Replace or straighten needle 3. Flush with solvent or remove and soak parts 4. Replace nozzle 5. Refer to "To Clean the Needle"
Bubbling in cup <ol style="list-style-type: none"> 1. Loose head cap or nozzle not seated on body 2. Nozzle damaged or cracked 	<ol style="list-style-type: none"> 1. Tighten head cap (by hand or lightly with wrench) 2. Replace nozzle 	Trigger sticks or does not move smoothly <ol style="list-style-type: none"> 1. Needs lubrication 2. Material leaked past packing 	<ol style="list-style-type: none"> 1. Refer to "Lubrication" 2. Thoroughly clean airbrush (including trigger) and tighten packing (#6) by inserting small slotted screwdriver into airbrush body until it contacts packing nut. Turn slightly clockwise.



Ref. No.	Order No.	Model No.	Description
1	802613	DGR-101	Crown cap
2	802615	DGR-103-35	Air cap (for .35mm nozzle)
3	802616	DGR-104	Head cap
4	802618	DGR-105-35	Nozzle (.35mm)
• 5	–	–	O-ring (head cap & handle)
6	802619	DGR-106K	Packing and nut assembly (PTFE)
7	802620	DGR-107	Air valve casing
8	803644	DGR-308K	Air valve kit
• 9	–	–	Air valve o-ring
10	–	–	Air valve plunger
11	–	–	Air valve spring
12	–	–	Air valve nut
13	803645	DGR-323	Trigger

Ref. No.	Order No.	Model No.	Description
15	802623	DGR-110K	Needle guide, rocker, & spring
16	–	–	Needle guide and rocker
• 17	–	–	Needle spring
18	802624	DGR-111	Spring guide
19	802625	DGR-112	Needle locknut
20	802627	DGR-113-35	Needle (for .35mm nozzle)
21	802628	DGR-114	Cutaway handle w/pre-set
• 22	–	–	O-ring (pre-set needle knob)
23	802630	DGR-116	Pre-set needle knob
24	802631	DGR-117	1/4 oz.(7 cc) cup and lid
25	802632	DGR-118	1/3 oz.(9 cc) cup and lid (standard)
26	802633	DGR-119	1/2 oz.(14 cc) cup and lid
27	802634	DGR-120	Cup lid
28	802635	DGR-121K	DAGR repair kit
30	802975	DGR-18-K5	O-ring (head cap & handle) kit (5)

• **DAGR Repair Kit 802635 (DGR-121K) includes:**

Ref.	Description	Qty.
5	O-ring (head cap & handle)	3
9	Air valve o-ring	2
17	Needle spring	1
22	O-ring (pre-set needle knob)	1


WARNING

The following hazards may occur during the normal use of this equipment. Please read the following warnings before using this equipment.

**HAZARD: FIRE**

CAUSE: Solvent and coatings can be highly flammable or combustible especially when sprayed.

SAFEGUARDS: Adequate exhaust must be provided to keep air free of accumulations of flammable vapors.

Smoking must never be allowed in the spray area.

Fire extinguishing equipment must be present in the spray area.

**HAZARD: SOLVENT SPRAY**

CAUSE: During use and while cleaning and flushing, solvents can be forcefully expelled from fluid and air passages. Some solvents can cause eye injury.

SAFEGUARDS: Wear eye protection.

**HAZARD: INHALING TOXIC SUBSTANCES**

CAUSE: Certain materials may be harmful if inhaled, or if there is contact with the skin.

SAFEGUARDS: Follow the requirements of the Material Safety Data Sheet supplied by your coating material manufacturer.

Adequate exhaust must be provided to

keep the air free of accumulations of toxic materials.

Use a mask or respirator whenever there is a chance of inhaling sprayed materials. The mask must be compatible with the material being sprayed and its concentration. Equipment must be as prescribed by an industrial hygienist or safety expert, and be NIOSH approved.

**HAZARD: EXPLOSION HAZARD – INCOMPATIBLE MATERIALS**

CAUSE: Halogenated hydrocarbon solvents – for example; methylene chloride and 1,1,1, – Trichloroethane are not chemically compatible with the aluminum that might be used in many system components. The chemical reaction caused by these solvents reacting with aluminum can become violent and lead to an equipment explosion.

SAFEGUARDS: Guns with stainless steel internal passageways may be used with

these solvents. However, aluminum is widely used in other spray application equipment – such as material pumps, regulators, valves, and this gun and cup. Check all equipment items before use and make sure they can also be used safely with these solvents. Read the label or data sheet for the material you intend to spray. If in doubt as to whether or not a coating or cleaning material is compatible, contact your material supplier.

HAZARD: GENERAL SAFETY

CAUSE: Improper operation or maintenance of equipment.

SAFEGUARDS: Operators should be given adequate training in the safe use and maintenance of the equipment (in accordance with the requirements of NFPA-33, Chapter 15). Users must comply with all local and national codes of practice and insurance company requirements governing ventilation, fire precautions, operation, maintenance, and house-keeping. These are OSHA Sections 1910.94 and 1910.107 and NFPA-33.

HAZARD: CUMULATIVE TRAUMA DISORDERS ("CTD'S")

CTD's, or musculoskeletal disorders, involve damage to the hands, wrists, elbows, shoulders, neck, and back. Carpal tunnel syndrome and tendonitis (such as tennis elbow or rotator cuff syndrome) are examples of CTD's.

CAUSE: Use of hand tools may cause cumulative trauma disorders ("CTD's").

CTD's, when using hand tools, tend to affect the upper extremities. Factors which may increase the risk of developing a CTD include:

1. High frequency of the activity.
2. Excessive force, such as gripping, pinching, or pressing with the hands and fingers.
3. Extreme or awkward finger, wrist, or arm positions.
4. Excessive duration of the activity.
5. Tool vibration.
6. Repeated pressure on a body part.
7. Working in cold temperatures.

CTD's can also be caused by such activities as sewing, golf, tennis, and bowling, to name a few.

SAFEGUARDS: Pain, tingling, or numbness in the shoulder, forearm, wrist, hands, or fingers, especially during the night, may be early symptoms of a CTD. Do not ignore them. Should you experience any such symptoms, see a physician immediately. Other early symptoms may include vague discomfort in the hand, loss of manual dexterity, and nonspecific pain in the arm. Ignoring early symptoms and continued repetitive use of the arm, wrist, and hand can lead to serious disability. Risk is reduced by avoiding or lessening factors 1-7.

NOTES

DAGR[®] por DEVILBISS[®]

Boletín de mantenimiento

SB-2-055-F

Substituye SB-2-055-E

INSTRUCCIONES Y MANTENIMIENTO DEL AERÓGRAFO

¡Gracias por su compra del aerógrafo DAGR[®] de DeVilbiss! Usted encontrará que este aerógrafo versátil y de alta calidad proporciona al artista profesional exigente una gama completa—de rendimiento para atomizar desde líneas finas hasta fondos amplios—con una gama amplia de materiales—desde pinturas a base de solventes para automotores hasta tintas a base de agua.

Los aerógrafos DAGR son instrumentos de precisión hechos con micromaquinado y materiales de alta calidad. Cada aerógrafo se prueba atomizando antes de empacarlo en su lata de colección, asegurando que cumpla con los estándares de calidad estrictos que usted ha llegado a esperar de DeVilbiss. Con el debido cuidado, su aerógrafo DAGR le ofrecerá un rendimiento excelente para expresar su creatividad.

ESPECIFICACIONES

Presiones operativas:
de 20 a 50 psi

Presión de admisión máxima:
175 psi

Enchapado del aerógrafo:
Níquel, cobre, cromo

Empaquetamiento de la aguja:
PTFE (a prueba de solvente)

PREPÁRESE PARA ATOMIZAR

SEGURIDAD ANTE TODO

Sírvase leer toda la información de seguridad en las páginas 18 y 19.

Conexión al aire comprimido

Conecte su aerógrafo DAGR a una línea neumática regulada o seleccione un compresor apropiado. El compresor Airblade[®] de DeVilbiss con un solo pistón es una opción compacta y económica para el principiante y le dará aproximadamente de 25 a 30 psi de presión neumática al aerógrafo DAGR. Operando de 35 a 40 psi, el aerógrafo DAGR producirá un alto flujo de pintura para sombrear, difuminar y crear fondos, así como para trabajos detallados y líneas finas.

Ensamblaje del aerógrafo al compresor

Conecte la manguera neumática al compresor y aerógrafo, luego active el compresor. Si está usando el compresor Airblade®, ajuste la presión entre 20 y 30 psi. Escuche cualquier filtración de aire en el compresor o los accesorios de la manguera neumática. Oriente el aerógrafo lejos de usted y pulse el disparador (#13) para empezar el flujo de aire a través del aerógrafo. Ponga una pequeña cantidad de solvente o limpiador en la taza y tire el disparador hacia atrás. Esto limpiará cualquier material remanente de la prueba en fábrica que pudiera haber en el aerógrafo.

Mezcla de pintura y relleno de la taza desmontable

Siga las instrucciones del fabricante de la pintura y diluya la pintura con el solvente apropiado. Filtrela usando un tamizador de malla de nylon. Es mejor “sobre-reducir” o preparar la pintura relativamente diluida y hacer pases continuos en su trabajo para lograr el matiz deseado. Esto también disminuirá la acumulación de pintura en la aguja y el tiempo de limpieza. El aerógrafo DAGR cuenta con una taza desmontable. Dependiendo de la cantidad de pintura que desea atomizar, utilice la taza estándar de 9 cc (1/3 oz.) o seleccione la taza opcional de 7 cc (1/4 oz.) ó 14 cc (1/2 oz.). Para pequeñas cantidades de material, no tiene

más que sacar la taza y llenar el encaje de la taza, lo cual le dará mejor visibilidad para trabajos detallados de cerca.

FUNCIONAMIENTO GENERAL

El aerógrafo DAGR es un instrumento de doble acción para control fino. Pulse el disparador para que fluya el aire y tire del disparador hacia atrás para que fluya la pintura. Para mejores resultados durante la atomización, mantenga el flujo de aire uniforme aún cuando haya detenido el flujo de pintura.

Autonomía de la presión neumática

Las presiones de trabajo varían entre 20 y 50 psi, dependiendo del tipo de trabajo que se está haciendo, las características deseadas al atomizar y la viscosidad de la pintura. Generalmente, las pinturas más espesas o el flujo de pintura más alto requerirá presiones mayores.

Atomización de líneas finas y detalles

Para atomizar una línea fina o detalle, pulse el disparador para que fluya el aire y tírelo ligeramente hacia atrás para que fluya la pintura al tiempo que mueve el aerógrafo muy cerca de la superficie. Controle el espesor de la línea ajustando la distancia entre el aerógrafo y la superficie, y ajustando la cantidad de flujo de pintura con el disparador. Puede lograrse una

línea aún más fina quitando cuidadosamente el sombrerete superior (#1) y moviendo el aerógrafo más cerca de la superficie.

NOTA: La aguja y la boquilla están están maquinadas con mucha precisión. Una leve curvatura en la punta de la aguja puede producir un patrón disparejo. El sombrerete superior protege la aguja y aún así permite que se atomicen líneas finas.

Atomización de líneas anchas, difuminaciones y fondos

Para atomizar líneas más anchas, difuminaciones y fondos, tire del disparador más hacia atrás para que fluya más pintura. Aumente la distancia entre el aerógrafo y el material gráfico hasta 15,24 cm (6 pulg.) para controlar el ancho de la línea. Aumentar la presión neumática también afectará el ancho de lo atomizado. El aerógrafo DAGR atomizará un ancho de fondo de aproximadamente 5 cm (2 pulg.). La velocidad del movimiento controla la densidad del color y los efectos de difuminación.

Atomización de líneas sin terminaciones gruesas

Para atomizar una línea fina o ancha sin terminación gruesa, comience moviendo el aerógrafo manteniendo el disparador pulsado para que fluya el aire. A continuación, tire del disparador hacia

atrás para que fluya la pintura al comienzo de la línea y detenga el flujo de pintura al final, pero continúe el movimiento del aerógrafo.

Moteado (lunares)

El moteado (lunares finos o gruesos) pueden añadir efectos especiales de textura al material gráfico. Nada más retire el sombrero superior (#1) y el sombrero de aire (#2) y ajuste la presión del aire entre 5 y 50 psi. Reducir la presión del aire producirá lunares gruesos; las presiones mayores producirán lunares finos. De igual manera, la viscosidad de la pintura afecta el moteado.

Eliminación de obstrucciones

El asa de corte (#21) permite al artista eliminar la acumulación de pintura de la punta del aerógrafo sin quitar el asa ni la aguja. Sólo agarre la contratuerca de la aguja (#19) expuesta y tire hacia atrás mientras mantiene el disparador (#13) pulsado. Más pintura fluirá por la aguja y punta, destapando la obstrucción.

Otro método es mantener un segundo aerógrafo cerca que contenga solvente en la taza y usarlo para atomizar la punta de la boquilla/aguja.

Un tercer método es aumentar la presión del aire y atomizar solvente por el aerógrafo por un período breve.

Sombrero superior

El sombrero superior (#1) se usa para proteger la aguja al atomizar una línea fina y para prevenir la acumulación y escurrido de la pintura al atomizar fondos grandes.

Asa preprogramada

El asa preprogramada (#21) tiene un botón de ajuste roscado (#23) en la parte posterior que limita cuanto puede tirarse del disparador hacia atrás y el movimiento de la aguja. Esto controla la cantidad de pintura que se atomiza. El botón tiene marcas de referencia.

LIMPIEZA Y LUBRICACIÓN

Antes de cada sesión de atomización

Atomice el solvente o limpiador apropiado por el aerógrafo para asegurarse de que esté funcionando como es debido.

Limpieza entre cambios de colores

Vacíe la pintura sobrante en la taza. Aclare la taza con solvente y use un papel toalla para limpiar cualquier remanente de pintura. Llene el fondo de la taza con solvente y atomícelo totalmente hasta que el spray esté claro. Llene con el siguiente color.

Después de cada sesión de atomización

Aumente la presión del aire y atomice el aerógrafo con una solución limpiadora. Esto ayudará a limpiar a fondo los pasajes de pintura, la boquilla y la aguja. Saque la aguja y límpiela con un paño (ver abajo).

Limpie la parte externa del aerógrafo con un paño humedecido con solvente y ponga en remojo el sombrero superior, si es necesario.

No ponga en remojo el cuerpo del aerógrafo en solvente a menos que se haya desarmado y sacado la válvula de aire. La junta tórica de la válvula de aire puede hincharse y causar problemas de flujo de aire.

Limpieza de la aguja

Quite el asa posterior, afloje la contratuerca de la aguja (#19) y saque la aguja (#20). Usando un paño suave doblado sobre la aguja, limpie cualquier residuo en la aguja haciéndola girar. Inspeccione la aguja. Si está curvada o deformada, reemplácela.

Manteniendo el disparador oprimido, reinserte con cuidado la aguja en el aerógrafo cerca de la parte posterior y empújela suavemente hasta que quede asentada en la boquilla y sea visible a través de la punta. Debe sentir una resistencia leve cuando la aguja pasa por

el empaquetamiento (#6). Si la aguja se detiene de repente, sáquela y verifique el debido posicionamiento del disparador, luego reinserte la aguja. Deje de oprimir el disparador y ajuste la contratuerca de la aguja.

Lubricación

Para asegurar que el disparador se accione sin problemas, saque periódicamente la aguja y cúbrala con un lubricante de alta calidad (como el lubricante en atomizador SSL-10 de DeVilbiss). Limpie la aguja con un paño suave dejándola ligeramente recubierta. Reinserte la aguja y reajuste la contratuerca de la aguja. Ponga unas cuantas gotas del lubricante en la ranura del disparador en el cuerpo del aerógrafo.

NOTA: Para lubricación, no utilice WD-40® o aceite liviano para máquinas porque esto hará que la aguja ponga cierta resistencia a medida que se mueva por el empaquetamiento de PTFE. No lubrique demasiado la aguja ni el disparador. El lubricante excedente podría ser empujado a la boquilla, lo que causaría problemas de flujo de pintura.

REPUESTOS Y ACCESORIOS

NOTA: Si debe desarmar el aerógrafo, por favor no utilice alicates. Rara vez se necesita usar herramientas. Sin embargo,

si lo necesita utilice una llave inglesa pequeña para destornillar y reajuste suavemente el sombrerete cabecero (#3), que sirve para asentar la boquilla en el cuerpo del aerógrafo. ¡No ajuste demasiado!

Boquilla (#4)

Si la boquilla se desgasta o daña, debe reemplazarse. Antes de reemplazar la boquilla, proteja la aguja tirándola un poco hacia atrás. Para hacer esto, quite el asa (#21), afloje la contratuerca de la aguja (#19) y tire con cuidado de la aguja hacia atrás a través de la boquilla. Quite el sombrerete cabecero (#3) y saque la boquilla. Si está atascada, aflójela empujando suavemente su costado con el dedo pulgar. Saque la boquilla y reemplácela con una nueva. Reensamble el sombrerete cabecero y ajústelo a mano o suavemente con una llave inglesa. No lo ajuste demasiado. Vuelva a asentar la aguja en la boquilla empujándola con cuidado hacia adelante hasta que quede asentada con la boquilla de fluido. Ajuste la contratuerca de la aguja y continúe reensamblando.

NOTA: Para asegurar un uso parejo, cambie la aguja al mismo tiempo que la boquilla.

Aguja (#20)

Las agujas DeVilbiss están hechas de acero inoxidable maquinado con precisión y están diseñadas para uso por largo tiempo. Sin embargo, debido a sus puntas muy finas y su longitud ahusada pueden dañarse fácilmente. Si la punta de la aguja se pone curva o ganchuda, debe enderezarse antes de sacarla por la boquilla o la boquilla podría resultar dañada. Si la aguja no está muy curvada, hágala rodar entre su dedo y una superficie lisa y plana para enderezar la punta.

Dispositivo de desconexión rápida (accesorio opcional)

Un vástago de desconexión rápida está atornillado en cada aerógrafo y un adaptador de desconexión rápida está atornillado en la manguera neumática. Esto permite hacer cambios rápidos entre aerógrafos usando una manguera.

Manguera

Use la manguera neumática flexible, de alta calidad y de nylon trenzado de DeVilbiss. Pida la unidad de manguera neumática de 3 metros (10 pies) (3 DGR-123 (802769) o la unidad de manguera neumática de 3 metros (10 pies) con dispositivo de desconexión rápida DGR-124 (802770).

LOCALIZACIÓN Y SOLUCIÓN DE PROBLEMAS

CAUSA	CORRECCIÓN	CAUSA	CORRECCIÓN
Pintura irregular: 1. Presión del aire demasiado alta 2. Pintura demasiado espesa 3. Aerógrafo sucio 4. Boquilla no asentada en el cuerpo 5. Boquilla dañada o rajada 6. Pintura seca en la punta de la aguja 7. Boquilla descentrada en el sombrero de aire	1. Reduzca la presión 2. Reducir con solvente 3. Remítase a Limpieza en la sección de Mantenimiento 4. Ajuste el sombrero cabecero (a mano o suavemente con llave inglesa) 5. Reemplace la boquilla 6. Remítase a "Limpieza de la aguja" 7. Limpie la boquilla y los asientos del aerógrafo	No atomiza: 1. Boquilla obstruida 2. Sombrero cabecero flojo 3. Contratuerca de la aguja floja 4. Presión del aire indebida 5. Pintura demasiado espesa 6. Boquilla dañada o rajada 7. Agujero de ventilación en la tapa de la taza bloqueado	1. Remítase a "Limpieza y lubricación" 2. Ajústelo (a mano o suavemente con llave inglesa) 3. Ajústela 4. Ajústela 5. Reducir con solvente 6. Reemplace la boquilla 7. Desatasque con un mondadientes o cepillo
Pintura escurrida: 1. Pintura seca en la punta de la aguja 2. Aerógrafo sucio 3. Pintura demasiado espesa 4. Presión del aire demasiado baja	1. Remítase a "Limpieza de la aguja" 2. Remítase a "Limpieza y lubricación" 3. Reducir con solvente 4. Aumentar la presión del aire	Atomiza líneas dobles: 1. Aerógrafo sucio 2. Aguja curvada 3. Suciedad en la punta de la boquilla o en el sombrero de aire 4. Boquilla dañada o rajada 5. Pintura seca en la punta de la aguja	1. Remítase a "Limpieza y lubricación" 2. Reemplace o enderece la aguja 3. Purgue con solvente o quite las piezas y remójelas 4. Reemplace la boquilla 5. Remítase a "Limpieza de la aguja"
Formación de burbujas en la taza 1. Afloje el sombrero cabecero o boquilla no asentada en el cuerpo 2. Boquilla dañada o rajada	1. Ajuste el sombrero cabecero (a mano o suavemente con llave inglesa) 2. Reemplace la boquilla	Disparador atascado o no se mueve sin problemas 1. Necesita lubricación 2. Material filtrado más allá del empaquetamiento 1. Remítase a "Lubricación" 2. Limpie el aerógrafo a fondo (incluyendo el disparador) y ajuste el empaquetamiento (#6) insertando un destornillador pequeño ranurado en el cuerpo del aerógrafo hasta que haga contacto con la tuerca del empaquetamiento. Haga girar un poco en sentido horario.	

No. de Ref.	Pida el No.	No. de modelo	Descripción
1	802613	DGR-101	Sombrerete superior
2	802615	DGR-103-35	Sombrerete de aire (para boquilla de 0,35 mm)
3	802616	DGR-104	Sombrerete cabecero
4	802618	DGR-105-35	Boquilla (0,35 mm)
• 5	–	–	Junta tórica (sombrerete cabecero y asa)
6	802619	DGR-106K	Unidad de empaquetamiento y tuerca (PTFE)
7	802620	DGR-107	Cubierta de la válvula de aire
8	803644	DGR-308K	Kit de válvula de aire
• 9	–	–	Junta tórica de la válvula de aire
10	–	–	Émbolo de la válvula de aire
11	–	–	Resorte de la válvula de aire
12	–	–	Tuerca de la válvula de aire
13	803645	DGR-323	Disparador

No. de Ref.	Pida el No.	No. de modelo	Descripción
15	802623	DGR-110K	Guía de la aguja, balancín y resorte
16	–	–	Guía de la aguja y balancín
• 17	–	–	Resorte de la aguja
18	802624	DGR-111	Guía de resorte
19	802625	DGR-112	Contratuercas de la aguja
20	802627	DGR-113-35	Aguja (para boquilla de 0,35 mm)
21	802628	DGR-114	Asa de corte preprogramada
• 22	–	–	Junta tórica (botón preprogramado de aguja)
23	802630	DGR-116	Botón preprogramado de aguja
24	802631	DGR-117	Taza de 7 cc (1/4 oz.) y tapa
25	802632	DGR-118	Taza de 9 cc (1/3 oz.) y tapa (estándar)
26	802633	DGR-119	Taza de 14 cc (1/2 oz.) y tapa
27	802634	DGR-120	Tapa de taza
28	802635	DGR-121K	Kit de reparación para el aerógrafo DAGR
30	802975	DGR-18-K5	Kit de junta tórica (sombrerete cabecero y asa) (5)

• El kit de reparación 802635 para el aerógrafo DAGR (DGR-121K) incluye:

Ref.	Descripción	Cantidad
5	Junta tórica (sombrerete cabecero y asa)	3
9	Junta tórica de la válvula de aire	2
17	Resorte de la aguja	1
22	Junta tórica (botón preprogramado de aguja)	1

ADVERTENCIA

Durante el uso normal de este equipo pueden ocurrir las siguientes situaciones de peligro. Sírvanse leer las siguientes advertencias antes de usar este equipo.



PELIGRO: INCENDIO

CAUSA: El solvente y los recubrimientos pueden ser altamente inflamables o combustibles especialmente cuando se atomizan.

MEDIDAS PREVENTIVAS: Debe proveerse de un escape adecuado para mantener el aire libre de acumulaciones de vapores inflamables.

Nunca debe permitirse fumar en el área donde se atomiza.

En el área donde se atomiza debe haber equipo extintor de incendios.



PELIGRO: ATOMIZACIÓN DE SOLVENTE

CAUSA: Durante el uso y mientras se limpia y purga, los solventes pueden expulsarse con fuerza de los pasajes de fluido y aire. Algunos solventes pueden causar lesiones en los ojos.

MEDIDAS PREVENTIVAS: Use gafas de protección.



PELIGRO: INHALACIÓN DE SUSTANCIAS TÓXICAS

CAUSA: Ciertos materiales pueden ser dañinos si se inhalan o si tienen contacto con la piel.

MEDIDAS PREVENTIVAS: Siga los requisitos de la Hoja de datos de seguridad (MSDS) suministrada por el fabricante del material de recubrimiento.

Debe proveerse de un escape adecuado para mantener el aire libre de acumulaciones de vapores tóxicos.

Use una máscara o respirador siempre que haya riesgo de inhalar materiales atomizados. La máscara debe ser compatible con el material que se atomiza y su concentración. El equipo debe ser como el recomendado por un higienista industrial o experto en seguridad y aprobado por NIOSH.



PELIGRO: PELIGRO DE EXPLOSIÓN – MATERIALES INCOMPATIBLES

CAUSA: Solventes de hidrocarburos halogenados – por ejemplo; cloruro de metileno y tricloroetano-1,1,1 no son compatibles químicamente con el aluminio que pudiera ser usado en muchos componentes del sistema. La reacción química causada por estos solventes reaccionando con el aluminio puede tornarse violenta y producir una explosión del equipo.

MEDIDAS PREVENTIVAS: Las pistolas con pasajes internos de acero inoxidable

pueden usarse con estos solventes. Sin embargo, en otros equipos de atomizadores suele utilizarse el aluminio – como bombas de material, reguladores, válvulas y esta pistola y taza. Revise todos los componentes del equipo antes de usarlos y asegúrese de que puedan usarse sin peligro con estos solventes. Lea la etiqueta u hoja de seguridad para el material que piensa atomizar. Si tiene dudas sobre si un recubrimiento o material de limpieza es compatible o no, póngase en contacto con el proveedor del material.

PELIGRO: SEGURIDAD EN GENERAL

CAUSA: Operación o mantenimiento indebidos del equipo.

MEDIDAS PREVENTIVAS: Los usuarios deben recibir una capacitación adecuada en el uso y mantenimiento seguro del equipo (de acuerdo con los requisitos de NFPA-33, Capítulo 15). Los usuarios deben cumplir con todos los códigos locales y nacionales de práctica y los requisitos de las compañías de seguro sobre ventilación, precauciones de incendio, operación, mantenimiento y limpieza del lugar de trabajo. Estas son las Secciones 1910.94 y 1910.107 de OSHA y NFPA-33.

PELIGRO: TRASTORNOS TRAUMÁTICOS ACUMULATIVOS (“CTD”)

Los CTD, o trastornos musculoesqueléticos, implican daño a las manos, las muñecas, los codos, los hombros, el cuello y la espalda. Ejemplos de los CTD son el síndrome de túnel carpiano y la tendinitis (como el codo de tenista o el síndrome del manguito rotador).

CAUSA: El uso de herramientas manuales puede causar trastornos traumáticos acumulativos (“CTD”).

Cuando se usan herramientas manuales, los CTD tienden a afectar las extremidades superiores. Los factores que pueden aumentar el riesgo de desarrollar un CTD incluyen:

1. Alta frecuencia de la actividad.
2. Fuerza excesiva, p. ej. al agarrar, apretar u oprimir con las manos y dedos.
3. Posiciones extremas o forzadas de los dedos, la muñeca o los brazos.
4. Duración excesiva de la actividad.
5. Vibración de la herramienta.
6. Presión repetida en una parte del cuerpo.
7. Trabajar en temperaturas frías.

Los CTD también pueden ser causados por actividades como coser, jugar golf, tenis y bolos por mencionar algunas.

MEDIDAS PREVENTIVAS: Un dolor, hormigueo o entumecimiento en el hombro, el antebrazo, las muñecas, las manos o los dedos, especialmente durante la noche, pueden ser síntomas tempranos de un CTD. No los ignore. Si experimenta cualquiera de dichos síntomas, vea de inmediato a un médico. Otros síntomas tempranos pueden incluir molestias en las manos, pérdida de dexteridad manual y un dolor no específico en el brazo. Ignorar los síntomas tempranos y continuar usando repetitivamente los brazos, las muñecas y las manos puede conducir a una discapacidad grave. El riesgo se disminuye evitando o reduciendo los factores listados del 1 al 7.

NOTAS

DAGR[®] par DEVILBISS[®]

Bulletin de service
SB-2-055-F
Remplace SB-2-055-E

MODE D'EMPLOI ET ENTRETIEN DE L'AÉROGRAPHE

Merci d'avoir acheté l'aérographe DeVilbiss DAGR[®] ! Vous trouverez que cet aérographe polyvalent de haute qualité offre à l'artiste professionnel et exigeant la gamme complète de performance—de la pulvérisation de lignes minces aux arrières-plans larges—avec une gamme généreuse de matériaux—allant des peintures automobile à base de diluants jusqu'aux encres à base d'eau.

Les aérographes DAGR de précision sont micro-usinés et fabriqués de matériaux de qualité supérieure. Le pulvérisateur de chaque aérographe est testé avant d'être emballé dans sa boîte de collection, ce qui assure qu'il répond aux normes de qualité exigeantes de DeVilbiss. Entretenu correctement, votre aérographe DAGR vous offrira une performance excellente pour exprimer votre créativité.

CARACTÉRISTIQUES

Pressions de fonctionnement :
20 à 50 psi

Pression d'entrée maximum :
175 psi

Revêtement de l'aérographe :
Nickel, cuivre, chrome

Emballage de l'aiguille :
PTFE (à l'épreuve des solvants)

PRÉPAREZ-VOUS À PULVÉRISER

LA SÉCURITÉ D'ABORD

Veuillez lire toutes les informations sur la sécurité sur les pages 28 et 29.

Connexion à l'air comprimé

Connectez votre aérographe DAGR à la conduite d'air régulée ou choisissez un compresseur approprié. Le compresseur à piston simple Airblade[®] de DeVilbiss est le choix du débutant compact et économique qui fournit à l'aérographe DAGR environ 25 à 30 psi de pression d'air. Avec 35 à 40 psi, le DAGR produira un débit élevé pour l'effet d'ombrage, de fond et de dégradé de teintes, ainsi que pour le travail détaillé et les lignes fines.

Montage de l'aérographe sur le compresseur

Branchez le conduit d'air sur le compresseur et sur l'aérographe et mettez le compresseur sous tension. Si vous utilisez un compresseur Airblade®, réglez la pression entre 20 et 30 psi. Écoutez attentivement pour toute fuite d'air dans le compresseur ou dans les raccords du conduit d'air. Pointez l'aérographe loin de vous et appuyez sur la gâchette (#13) pour amorcer le débit d'air dans l'aérographe. Placez une petite quantité de diluant ou de produit nettoyant dans le godet et tirez sur la gâchette. Cette action nettoiera tout résidu de matériau d'épreuve en usine qui pourrait se trouver dans l'aérographe.

Mélanger la peinture et remplir le godet amovible

Suivez les instructions du fabricant de peinture et éclaircissez la peinture au moyen du diluant approprié. Filtrez-la dans une passoire en nylon. Il est mieux de "sur-réduire", ou de préparer une peinture relativement claire et d'effectuer des passes en continu sur le travail pour obtenir la teinte désirée. Cela réduira également l'accumulation de peinture sur l'aiguille ainsi que le temps de nettoyage. Le DAGR est doté d'un godet amovible. Selon la quantité de peinture que vous désirez pulvériser, utilisez le godet standard 9cc (1/3 oz) ou choisissez un

godet facultatif de 7cc (1/4 oz) ou 14cc (1/2 oz). Pour de petites quantités de peinture, retirez simplement le godet et remplissez la douille du godet, ce qui vous donnera une meilleure visibilité pour le travail de près.

FONCTIONNEMENT GÉNÉRAL

Le DAGR est un aérographe à double action pour le contrôle raffiné. Tirez la gâchette vers le bas pour le débit d'air et tirez la gâchette vers l'arrière pour le débit de peinture. Pour les meilleurs résultats lors de la pulvérisation, maintenez un débit d'air régulier même lorsque vous arrêtez le débit de peinture.

Plage de pression d'air

Les pressions de fonctionnement varient entre 20 et 50 psi en fonction du genre de travail effectué, des caractéristiques de pulvérisation désirés, et de la viscosité de la peinture. En général, les peintures plus épaisses ou le débit de peinture élevé exigent des pressions plus élevées.

Pulvérisation de lignes fines et détaillées

Pour pulvériser une ligne fine ou détaillée, tirez la gâchette vers le bas pour le débit d'air et tirez-la légèrement vers l'arrière pour le débit de peinture tout en déplaçant le pistolet très près de la surface. Contrôlez

l'épaisseur de la ligne en ajustant la distance entre le pistolet et la surface et en ajustant le débit de peinture au moyen de la gâchette. Vous pouvez obtenir une ligne encore plus fine si vous enlevez le capuchon (#1) et placez le pistolet plus près de la surface.

REMARQUE : L'aiguille et la buse sont finement usinées. Une courbe, même légère, du bout de l'aiguille peut causer une pulvérisation inégale. Le capuchon protège l'aiguille tout en permettant la pulvérisation de lignes fines.

Pulvérisation de lignes larges, de fonds et de dégradés de teintes

Pour des lignes larges, des fonds et des dégradés de teintes, tirez la gâchette plus loin pour un débit de peinture plus élevé. Augmentez d'environ six pouces la distance entre l'aérographe et le travail afin de contrôler la largeur de la ligne. Augmenter la pression d'air affectera également la largeur de la pulvérisation. Le DAGR pulvérisera un fond d'une largeur d'environ deux pouces. La vitesse de mouvement contrôle l'intensité de la couleur et des dégradés de teintes.

Tracer des lignes sans dégâts

Pour tracer une ligne fine ou large sans dégâts, commencez par déplacer

l'aérographe avec la gâchette enfoncée pour l'air. Ensuite tirez sur la gâchette pour le débit de peinture au début de la ligne et arrêtez le débit de peinture à la fin mais continuez le mouvement de l'aérographe.

Pointillage

Le pointillage (gros ou petits pois) peut ajouter un effet texturé à l'oeuvre. Retirez simplement le capuchon (#1) et le chapeau d'air (#2) et réglez la pression d'air entre 5 et 50 psi. Une pression faible produira de gros pois ; une pression élevée produira de petits pois. La viscosité de la peinture affecte également le pointillage.

Décrassage

Le levier (#21) permet à l'artiste de retirer l'accumulation de peinture de l'embout de l'aérographe sans enlever la poignée et l'aiguille. Grippez le contre-écrou exposé de l'aiguille (#19) et tirez dessus tout en appuyant sur la gâchette (#13). Une plus grande quantité de peinture s'écoulera de l'aiguille et de l'embout et débouchera ainsi l'accumulation de peinture.

Une autre méthode serait d'avoir à portée de la main un deuxième aérographe comportant du diluant dans son godet que vous pourrez utiliser pour vaporiser l'embout de la buse / de l'aiguille.

Une troisième méthode est d'augmenter la pression d'air et de vaporiser du diluant dans l'aérographe pendant une courte durée.

Capuchon

Le capuchon (#1) sert à protéger l'aiguille lorsque vous vaporisez une ligne fine ainsi qu'à prévenir l'accumulation et les crachotis lorsque vous réalisez de grands fonds.

Levier de pré réglage

Le levier de pré réglage (#21) est doté à l'arrière d'un bouton de réglage fileté (#23) qui limite les mouvements de la gâchette et de l'aiguille. Ceci contrôle la quantité de peinture vaporisée. Le bouton est doté de marques de référence.

NETTOYAGE ET LUBRIFICATION

Avant chaque session de vaporisation

Vaporisez du diluant ou du produit nettoyant approprié dans l'aérographe afin d'assurer son bon fonctionnement.

Nettoyer à chaque changement de couleur

Videz l'excédent de peinture dans le godet. Rincez le godet au diluant et employez un essuie-tout pour récupérer toute la peinture restante. Remplissez le fond du godet de diluant et vaporisez jusqu'à ce

que la brume soit claire. Remplissez maintenant de la couleur désirée.

Après chaque session de vaporisation

Augmentez la pression d'air et vaporisez du diluant dans l'aérographe. Cela aidera à nettoyer à fond les conduits de peinture, la buse et l'aiguille. Retirez l'aiguille et essuyez-la à fond (voir ci-dessous).

Essayez l'extérieur de l'aérographe avec un linge imprégné de diluant, et laissez tremper le capuchon au besoin.

Démontez et retirez la soupape d'air avant de laisser tremper le corps de l'aérographe dans le diluant. Le joint torique de la soupape d'air pourrait gonfler et entraver le débit d'air.

Nettoyage de l'aiguille

Retirez la poignée arrière, desserrez le contre-écrou de l'aiguille (#19) et retirez l'aiguille (#20). Enlevez le résidu de l'aiguille en la faisant rouler à plat sur un linge doux. Inspectez l'aiguille. Si elle est tordue ou courbée, remplacez-la.

Appuyez sur la gâchette et introduisez l'aiguille soigneusement dans l'aérographe près de l'arrière et appuyez doucement jusqu'à ce qu'elle siège contre la buse. Elle

sera alors visible dans l'embout. Vous sentirez une légère résistance au moment où l'aiguille pénètre l'étoffeage (#6). Si l'aiguille s'arrête tout à coup, retirez-la et vérifiez que la gâchette est dans la bonne position, puis réintroduisez l'aiguille. Relâchez la gâchette et serrez le contre-écrou de l'aiguille.

Lubrification

Afin d'assurer l'action souple de la gâchette, retirez l'aiguille de temps à autre et enduisez-la d'un lubrifiant de haute qualité (par exemple le lubrifiant à vaporiser DeVilbiss SSL-10). Essayez l'aiguille avec un linge doux en laissant une pellicule de lubrifiant. Réintroduisez l'aiguille et serrez le contre-écrou de l'aiguille. Mettez quelques gouttes de lubrifiant dans la fente de la gâchette dans le corps de l'aérographe.

REMARQUE : N'utilisez pas de WD-40® ou d'huile à machine légère pour lubrifier, car celles-ci causeront le blocage de l'aiguille à mesure qu'elle pénètre l'étoffeage PTFE. Ne pas trop lubrifier l'aiguille ni la gâchette. L'excédent de lubrifiant pourrait s'introduire dans la buse, causant ainsi des problèmes de débit de la peinture.

ACCESSOIRES ET PIÈCES DE RECHANGE

REMARQUE : Si vous devez démonter l'aérographe, n'utilisez pas de pinces. Les outils sont rarement nécessaires. Toutefois se cela s'avère nécessaire, utilisez une petite clé pour desserrer et resserrer légèrement le chapeau (#3) qui siège la buse contre le corps de l'aérographe. Ne pas trop serrer !

Buse (#4)

Si la buse s'use ou s'endommage, vous devez la remplacer. Avant de remplacer la buse, protégez l'aiguille en la tirant doucement. Pour ce faire, retirez la poignée (#21), desserrez le contre-écrou de l'aiguille (#19) et tirez soigneusement l'aiguille à travers la buse. Retirez le chapeau (#3) et sortez la buse. Si celle-ci est coincée, décoincez-la en la poussant doucement sur le côté avec votre pouce. Retirez la buse et remplacez-la par une neuve. Remontez le chapeau et serrez-le à la main ou légèrement à l'aide d'une clé. Ne le serrez pas trop. Remplacez l'aiguille dans la buse en la poussant légèrement vers l'avant jusqu'à ce qu'elle siège sur la buse de liquide. Serrez le contre-écrou de l'aiguille et finissez le remontage.

REMARQUE : Afin d'assurer l'usure uniforme, remplacez l'aiguille en même temps que la buse.

Aiguille (#20)

Les aiguilles DeVilbiss sont fabriquées en acier inoxydable usiné en précision et conçues pour une longue vie de service. Cela dit, elles sont facilement endommagées en raison de leurs longues mèches fines et leurs embouts très fins. Si la pointe de l'aiguille se courbe ou se plie, vous devez la redresser avant de la retirer à travers la buse, sinon la buse pourrait s'endommager. Si l'aiguille n'est pas trop courbée, roulez-la sur une surface plate avec votre doigt pour la redresser.

Déconnexion rapide (accessoire en option)

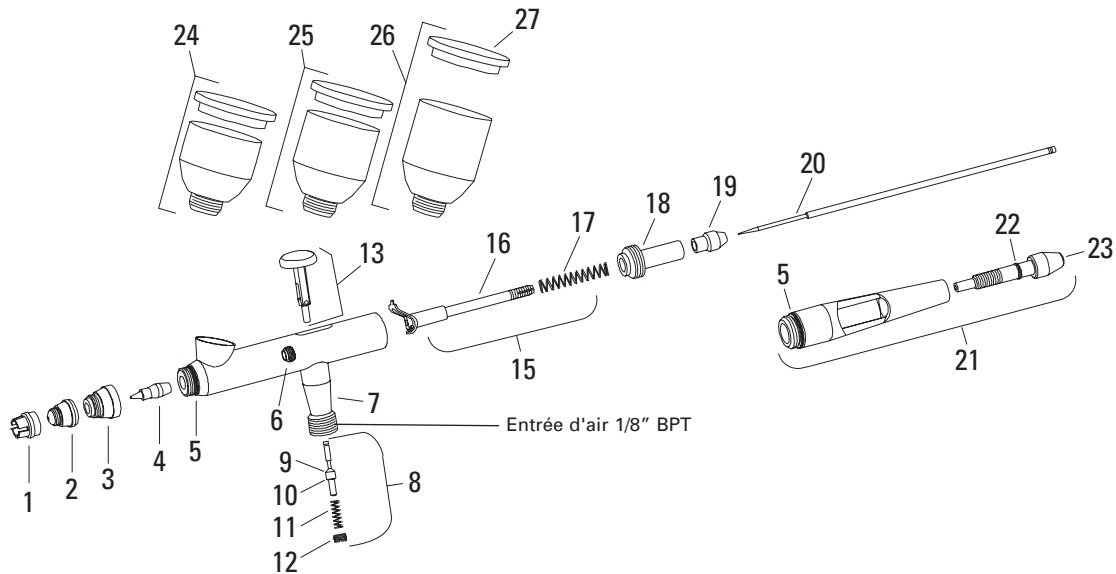
Une tige de déconnexion rapide est vissée sur l'aérographe et un adaptateur de déconnexion rapide est vissé sur le conduit d'air. Cela permet les changements rapides entre aéroglyphes employant un seul conduit.

Conduit

Utilisez un conduit d'air souple de haute qualité DeVilbiss tressé en nylon. Commandez l'ensemble de conduit d'air de 10 pieds DGR-123 (802769) ou l'ensemble de conduit d'air de 10 pieds à déconnexion rapide DGR-124 (802770).

DÉPANNAGE

CAUSE	CORRECTION	CAUSE	CORRECTION
Lacunes : 1. Pression d'air trop élevée 2. Peinture trop épaisse 3. Aérographe sale 4. Buse mal assise sur le corps 5. Buse endommagée ou craquée 6. Peinture séchée sur le bout de l'aiguille 7. Buse non centrée dans le chapeau d'air	1. Réduire la pression 2. Réduire avec du diluant 3. Consulter la section Nettoyage et entretien 4. Serrer le chapeau (à la main ou légèrement au moyen d'une clé) 5. Remplacer la buse 6. Consulter la section Nettoyage de l'aiguille 7. Nettoyer les sièges de la buse et de l'aérographe	Ne vaporise pas : 1. Buse colmatée 2. Desserrer le chapeau 3. Contre-écrou d'aiguille desserré 4. Mauvaise pression d'air 5. Peinture trop épaisse 6. Buse endommagée ou craquée 7. Trou d'évent du couvercle du godet colmaté	1. Consulter la section Nettoyage et lubrification 2. Serrer (à la main ou légèrement au moyen d'une clé) 3. Serrer 4. Ajuster 5. Réduire avec du diluant 6. Remplacer la buse 7. Débloquer à l'aide d'un cure-dent ou d'une brosse
Crachotis : 1. Peinture séchée sur le bout de l'aiguille 2. Aérographe sale 3. Peinture trop épaisse 4. Pression d'air trop basse	1. Consulter la section Nettoyage de l'aiguille 2. Consulter la section Nettoyage et lubrification 3. Réduire avec du diluant 4. Augmenter la pression d'air	Vaporise en ligne double : 1. Aérographe sale 2. Aiguille tordue 3. Saleté sur l'extrémité de la buse ou dans le chapeau d'air 4. Buse endommagée ou craquée 5. Peinture séchée sur le bout de l'aiguille	1. Consulter la section Nettoyage et lubrification 2. Remplacer ou redresser l'aiguille 3. Rincer au diluant ou démonter et laisser tremper les pièces 4. Remplacer la buse 5. Consulter la section Nettoyage de l'aiguille
Bouillonnements dans le godet 1. Buse ou chapeau desserré ou mal légèrement assis sur le corps 2. Buse endommagée ou craquée	1. Serrer le chapeau (à la main ou au moyen d'une clé) 2. Remplacer la buse	La gâchette résiste ou ne se déplace pas sans à-coups 1. Lubrification nécessaire 2. La peinture a coulé au-delà de l'étoffage	1. Consulter la section Lubrification 2. Nettoyer à fond l'aérographe (y compris la gâchette) et serrer l'étoffage (#6) en introduisant un petit tournevis pour écrous à fente dans le corps de l'aérographe jusqu'à ce qu'il rejoigne l'écrou d'étoffage. Tourner légèrement dans le sens des aiguilles d'une montre.



Numéro de référence	Numéro de commande	Numéro de modèle	Description
1	802613	DGR-101	Capuchon
2	802615	DGR-103-35	Chapeau d'air (pour buse 0,35 mm)
3	802616	DGR-104	Chapeau
4	802618	DGR-105-35	Buse (0,35 mm)
• 5	–	–	Joint torique (chapeau et poignée)
6	802619	DGR-106K	Ensemble écrou et étoffage (PTFE)
7	802620	DGR-107	Boîtier de la soupape d'air
8	803644	DGR-308K	Ensemble de soupape d'air
• 9	–	–	Joint torique de soupape d'air
10	–	–	Piston de soupape d'air
11	–	–	Ressort de soupape d'air
12	–	–	Écrou de soupape d'air
13	803645	DGR-323	Gâchette

Numéro de référence	Numéro de commande	Numéro de modèle	Description
15	802623	DGR-110K	Guide-aiguille, bascule et ressort
16	–	–	Guide-aiguille et bascule
• 17	–	–	Ressort de l'aiguille
18	802624	DGR-111	Guide du ressort
19	802625	DGR-112	Contre-écrou de l'aiguille
20	802627	DGR-113-35	Aiguille (pour buse 0,35 mm)
21	802628	DGR-114	Levier avec pré réglage
• 23	–	–	Joint torique (bouton de pré réglage de l'aiguille)
23	802630	DGR-116	Bouton de pré réglage de l'aiguille
24	802631	DGR-117	Godet 7 cc (1/4 oz) et couvercle
25	802632	DGR-118	Godet 9 cc (1/3 oz) et couvercle (standard)
26	802633	DGR-119	Godet 14 cc (1/2 oz) et couvercle
27	802634	DGR-120	Couvercle de godet
28	802635	DGR-121K	Trousse de réparation DAGR
30	802975	DGR-18-K5	Trousse de joint torique (chapeau et poignée) (5)

• La trousse de réparation DAGR 802635 (DGR-121K) comprend :

Numéro	Description	Qté.
5	Joint torique (chapeau et poignée)	3
9	Joint torique de soupape d'air	2
17	Ressort de l'aiguille	1
22	Joint torique (bouton de pré réglage de l'aiguille)	1

MISE EN GARDE

Les dangers suivants peuvent survenir lors de l'utilisation normale de cet équipement. Veuillez lire les mises en garde suivantes avant d'utiliser cet équipement.



DANGER : INCENDIE

CAUSE : Les diluants et revêtements peuvent être extrêmement inflammables ou combustibles, surtout une fois vaporisés.

MESURES DE PROTECTION : La ventilation est indispensable afin d'éviter l'accumulation de vapeurs inflammables.

Il est interdit de fumer dans la zone de pulvérisation.

L'équipement d'extinction d'incendie est indispensable dans la zone de pulvérisation.



DANGER : VAPORISATION DE DILUANT

CAUSE : Lors de l'utilisation et pendant le nettoyage et le rinçage, les diluants peuvent être exprimés des conduits d'air et de liquide. Certains diluants causent des blessures aux yeux.

MESURES DE PROTECTION : Lunettes de protection obligatoires.



DANGER : INHALATION DE SUBSTANCES TOXIQUES

CAUSE : Certaines matières peuvent être nocives si inhalées, ou si elles entrent en contact avec la peau.

MESURES DE PROTECTION : Suivez les consignes de la fiche signalétique fournie par le fabricant de revêtement.

Une ventilation adéquate est indispensable afin d'éviter l'accumulation de matières toxiques dans l'air.

Utilisez un masque ou un appareil respiratoire lorsqu'il y a un risque d'inhaler des matières vaporisées. Le masque doit être compatible avec la matière vaporisée ainsi que sa concentration. L'équipement doit être tel que prescrit par un hygiéniste industriel ou un professionnel de la sécurité et approuvé par NIOSH.



DANGER : RISQUE D'EXPLOSION – MATÉRIAUX INCOMPATIBLES

CAUSE : Diluants d'hydrocarbure halogéné – par exemple : chlorure de méthylène et 1,1,1, – Trichloroéthane ne sont pas chimiquement compatibles avec l'aluminium qui pourrait être utilisé dans différents composants du système. La réaction chimique causée par ces diluants réagissant avec l'aluminium peut devenir violente et mener à une explosion de l'équipement.

MESURES DE PROTECTION : Les pistolets comportant des conduits internes en acier inoxydable peuvent être utilisés avec ces diluants. Toutefois l'aluminium s'utilise généralement avec d'autres équipements de vaporisation, tels que les pompes, régulateurs, soupapes, ce pistolet et ce godet. Vérifiez tous les articles de l'équipement avant l'utilisation pour vous assurer qu'ils s'utilisent sans danger avec ces diluants. Lisez l'étiquette ou la fiche signalétique de la matière que vous désirez vaporiser. Si vous avez des doutes concernant la compatibilité d'un revêtement ou d'un diluant, contactez votre fournisseur.

DANGER : SÉCURITÉ GÉNÉRALE

CAUSE : Fonctionnement ou entretien inadéquat de l'équipement.

MESURES DE PROTECTION : Les opérateurs doivent recevoir une formation adéquate dans l'utilisation et l'entretien sécuritaires de l'équipement (conforme aux exigences de la NFPA-33, chapitre 15). Les utilisateurs doivent se conformer aux codes de bonne pratique locaux et nationaux ainsi qu'aux exigences des sociétés d'assurances concernant la ventilation, les précautions à prendre contre l'incendie, le fonctionnement et l'entretien de l'équipement et des locaux. Ceux-ci se trouvent dans les sections 1910.94 et 1910.107 de l'OSHA et dans la NFPA-33.

DANGER : TROUBLES CONSÉCUTIFS AUX TRAUMAS CUMULATIFS

Les troubles consécutifs aux traumas cumulatifs, ou traumatismes musculo-squelettiques, impliquent des lésions aux mains, poignets, coudes, épaules, cou et dos. Le syndrome du canal carpien et la tendinite (comme l'épicondylite ou le syndrome de la coiffe des rotateurs) sont des exemples de troubles consécutifs aux traumas cumulatifs.

CAUSE : L'utilisation d'outils à main peut causer des troubles consécutifs aux traumas cumulatifs.

Les troubles consécutifs aux traumas cumulatifs causés par l'utilisation d'outils à main ont tendance à affecter les membres supérieurs. Les facteurs pouvant augmenter le risque de développer des troubles consécutifs aux traumas cumulatifs comprennent :

1. Fréquence élevée de l'activité.
2. Force excessive, telle que le grippage, le pinçage ou la pression avec les mains et les doigts.
3. Les positions de doigt, de poignet ou de main extrêmes ou maladroites.
4. Durée excessive de l'activité.
5. Vibration de l'outil.

6. Pression répétée sur une partie du corps.
7. Travailler au froid.

Les troubles consécutifs aux traumas cumulatifs sont aussi causés par des activités telles que la couture, le golf, le tennis et les quilles, entre autres.

MESURES DE PROTECTION : Les douleurs, fourmillements, ou engourdissements dans l'épaule, l'avant-bras, le poignet, la main ou les doigts, surtout la nuit, peuvent être des symptômes précoces d'un trouble consécutif aux traumas cumulatifs. Ne les négligez pas. Si jamais vous ressentez l'un de ces symptômes, consultez immédiatement votre médecin. D'autres symptômes précoces peuvent inclure un vague malaise dans la main, la perte de la dextérité, et des douleurs non spécifiques dans le bras. Le fait de négliger les symptômes précoces et de continuer l'usage répétitif du bras, du poignet et de la main peut entraîner une invalidité sérieuse. Les risques sont réduits en évitant ou en réduisant les facteurs 1 à 7.

GARANTÍA DE CINCO AÑOS DISPONIBLE

Este producto es cubierto por DeVilbiss' garantía limitada 1 año. Una garantía limitada 4 años adicional está disponible colocándose en www.autorefinishdevilbiss.com.

Centros de venta y servicios de DeVilbiss a escala mundial: www.devilbiss.com

Repintado automotriz de DeVilbiss

DeVilbiss tiene distribuidores autorizados en todo el mundo. Para equipos, repuestos y servicio, consulte las Páginas amarillas bajo "Equipos y suministros para talleres de repintado automotriz." Para asistencia técnica, consulte la lista abajo.

Oficina de servicio al cliente en EE.UU./Canadá:

11360 S. Airfield Road, Swanton, OH 43558

Teléfono gratuito: 1-800-445-3988 (sólo en EE.UU. y Canadá)

Fax gratuito: 1-800-445-6643

DEVILBISS
AUTOMOTIVE REFINISHING

GARANTIE DE CINQ ANS DISPONIBLE

Ce produit est couvert garantie limitée d'une année par DeVilbiss. Une garantie limitée de quatre ans additionnelle est disponible par l'enregistrement à www.autorefinishdevilbiss.com.

Informations sur les ventes et le service DeVilbiss dans le monde entier : www.devilbiss.com

Repeinturage automobile DeVilbiss

DeVilbiss a des concessionnaires agréés partout au monde. Pour l'équipement, les pièces et le service, vérifiez les pages jaunes sous "Automobile - Équipement et fournitures de réparation de carrosserie." Pour de l'aide technique, consultez les informations ci-dessous.

Bureau du service à la clientèle au Canada / aux É.-U. :

11360 S. Airfield Road, Swanton, OH 43558
Téléphone sans frais : 1-800-445-3988 (Canada et É.-U. seulement)
Télécopieur sans frais : 1-800-445-6643

DEVILBISS
AUTOMOTIVE REFINISHING

FIVE-YEAR WARRANTY AVAILABLE

This product is covered by DeVilbiss' 1-year Limited Warranty. An additional 4-year limited warranty is available by registering at www.autorefinishdevilbiss.com.

DeVilbiss Worldwide Sales and Service Listing: www.devilbiss.com

DeVilbiss Automotive Refinishing

DeVilbiss has authorized distributors throughout the world. For equipment, parts and service, check the Yellow Pages under "Automotive Body Shop Equipment and Supplies." For technical assistance, see listing below.

U.S./Canada Customer Service Office:

11360 S. Airfield Road, Swanton, OH 43558

Toll-Free Telephone: 1-800-445-3988 (U.S.A. and Canada only)

Toll-Free Fax: 1-800-445-6643

DEVILBISS
AUTOMOTIVE REFINISHING