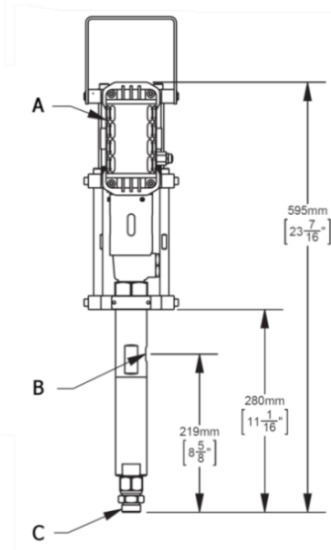
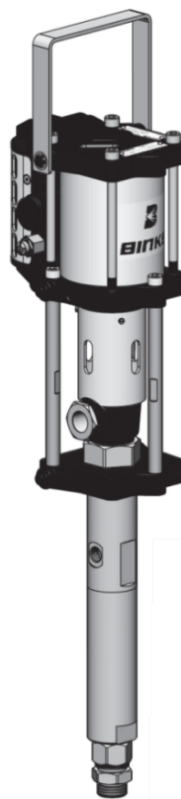


MX432 & MXL432 Pump & Packages

Models: MX432## & MXL432##, ##=PL (PTFE/Leather), PP (PTFE), PU (PTFE/UHMWPE), UC (U-Cups)



Patent 7,603,855

Models: MX432## & MXL432##, ##=PL (PTFE/Leather), PP (PTFE), PU (PTFE/UHMWPE), UC (U-Cups)

SPECIFICATION - Bare Pump	
	Ratio: 32:1
	Maximum air inlet pressure: 8 bar [116 psi]
	Maximum fluid pressure: 256 bar [3712 psi]
	Displacement per cycle: 24 cc [0.8 oz]
	Output @ 60 cycles / min: 1.4 l/m [0.4 US gal/m]
	Air consumption @ 20 cycles/min and 8 bar [116 psi] air inlet pressure: 147 l/m [5.2 SCFM]
	Maximum recommended continuous cycle rate [cycles/min]: 20
A	Air inlet connection: 3/8" BSP(f)
C	Fluid inlet connection: MX-3/4" NPS(m), MXL-1/2" NPS(m)
B	Fluid outlet connection: M14x1.5(f)
	Sound level: 96.2 dB
	Weight: 7.5 kg [16.5 lbs]
	Wetted parts materials of construction: Stainless Steel, Tungsten Carbide, Hard Chrome, PTFE, Polyethylene, Leather, Ceramic.

Product Description / Object of Declaration:	MX4**, MXL4**, MX12**, MXL12**, MX122**, MX190**, MX220**, MMX4**, MMX12**	EN
This Product is designed for use with:	Solvent and Water based materials	
Suitable for use in hazardous area:	Zone 1	
Protection Level:	II 2 G c X IIB T4	
Notified body details and role:	Element Materials Technology (0891) Lodging of Technical file	
This Declaration of conformity / incorporation is issued under the sole responsibility of the manufacturer:	Carlisle Fluid Technologies UK Ltd, Ringwood Road, Bournemouth, BH11 9LH. UK	

EU Declaration of Conformity



The object of the declaration described above is in conformity with the relevant Union harmonisation legislation:

Machinery Directive 2006/42/EC

ATEX Directive 2014/34/EU

by complying with the following statutory documents and harmonized standards:

EN ISO 12100:2010 Safety of Machinery - General Principles for Design

EN 12621:+A1:2010 Machinery for the supply and circulation of coating materials under pressure - Safety requirements

EN 1127-1:2011 Explosive atmospheres - Explosion prevention - Basic concepts

EN 13463-1:2009 Non electrical equipment for use in potentially explosive atmospheres - Basic methods and requirements



EN 13463-5:2011 Non electrical equipment for use in potentially explosive atmospheres - Protection by constructional safety "c"

Providing all conditions of safe use / installation stated within the product manuals have been complied with and also installed in accordance with any applicable local codes of practice.

Signed for and on behalf of Carlisle Fluid
Technologies UK Ltd:

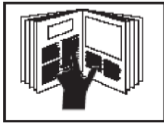
D Smith
5/5/17

Director of Sales (EMEA)
Bournemouth, BH11 9LH, UK

 WARNING	 CAUTION	NOTE
Hazards or unsafe practices which could result in severe personal injury, death or substantial property damage.	Hazards or unsafe practices which could result in minor personal injury, product or property damage	Important installation, operation or maintenance information.

 **WARNING**

Read the following warnings before using this equipment.



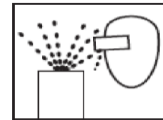
READ THE MANUAL. Before operating finishing equipment, read and understand all safety, operation and maintenance information provided in the operation manual.



AUTOMATIC EQUIPMENT. Automatic equipment may start suddenly without warning.



WEAR SAFETY GLASSES. Failure to wear safety glasses with side shields could result in serious eye injury or blindness.



PROJECTILE HAZARD. You may be injured by venting liquids or gases that are released under pressure, or flying debris.



DE-ENERGIZE, DE-PRESSURISE, DISCONNECT AND LOCK OUT ALL POWER SOURCES DURING MAINTENANCE. Failure to de-energize, disconnect and lock out all power supplies before performing equipment maintenance could cause serious injury or death.



KNOW WHERE AND HOW TO SHUT OFF THE EQUIPMENT IN CASE OF AN EMERGENCY.



NOISE LEVELS. The A-weighted sound level of pumping and spray equipment may exceed 85 dB(A) depending on equipment settings. Actual noise levels are available on request. It is recommended that ear protection is worn at all times while equipment is in use.



PRESSURE RELIEF PROCEDURE. Always follow the pressure relief procedure in the equipment instruction manual.



INSPECT THE EQUIPMENT DAILY. Inspect the equipment for worn or broken parts on a daily basis. Do not operate the equipment if you are uncertain about its condition.



OPERATOR TRAINING. All personnel must be trained before operating finishing equipment.



EQUIPMENT MISUSE HAZARD. Equipment misuse can cause the equipment to rupture, malfunction or start unexpectedly and result in serious injury.



PACEMAKER WARNING. You are in the presence of magnetic fields which may interfere with the operation of certain pacemakers.



HIGH PRESSURE CONSIDERATION. High pressure can cause serious injury. Relieve all pressure before servicing. Spray from the gun, hose leaks or ruptured components can inject fluid into your body and cause extremely serious injury.



KEEP EQUIPMENT GUARDS IN PLACE. Do not operate the equipment if the safety devices have been removed.



STATIC CHARGE. Fluid may develop a static charge that must be dissipated through proper grounding of the equipment, objects to be sprayed and all other electrically conductive objects in the dispensing area. Improper grounding or sparks can cause a hazardous condition and result in fire, explosion or electric shock and other serious injury.



NEVER MODIFY THE EQUIPMENT. Do not modify the equipment unless the manufacturer provides written approval.



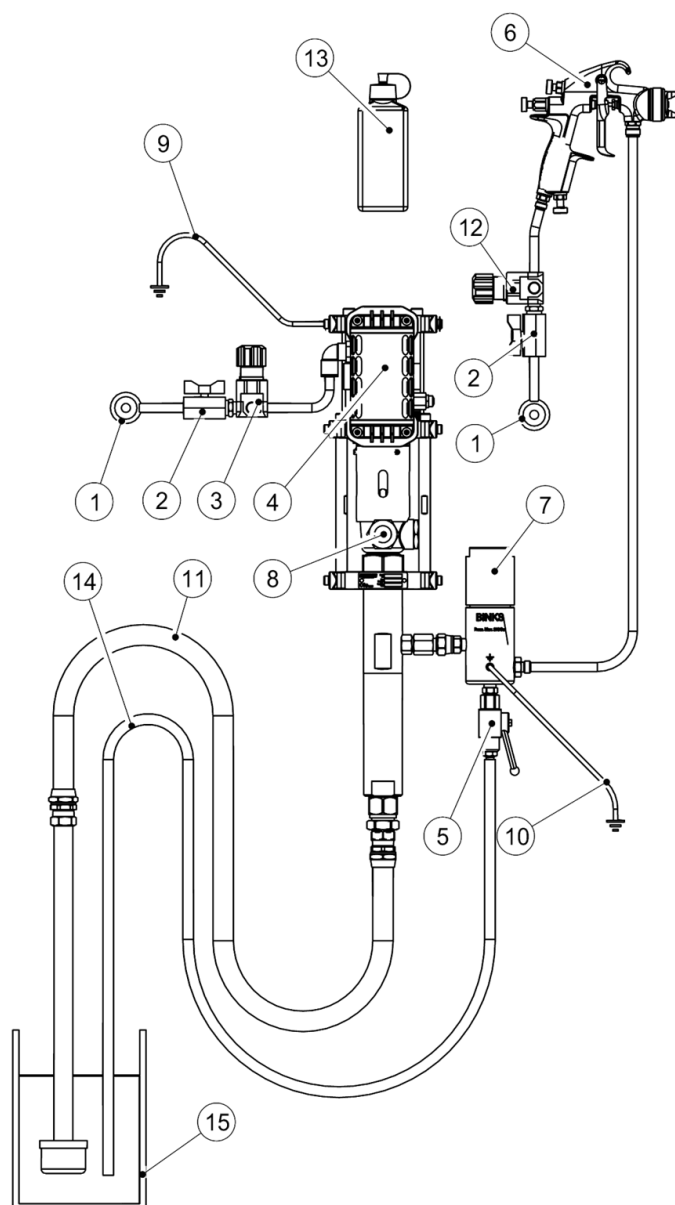
PROP 65 WARNING. WARNING: This product contains chemicals known to the state of California to cause cancer and birth defects or other reproductive harm.



PINCH POINT HAZARD. Moving parts can crush and cut. Pinch points are any areas where there are moving parts.

IT IS THE RESPONSIBILITY OF THE EMPLOYER TO PROVIDE THIS INFORMATION TO THE OPERATOR OF THE EQUIPMENT.

PUMP OPERATION AND CLEANING



1	AIR SUPPLY
2	AIR SHUT OFF VALVE (IF FITTED)
3	AIR PRESSURE REGULATOR
4	BINKS PUMP
5	FLUID PRESSURE RELIEF VALVE (IF FITTED)
6	SPRAY GUN
7	FLUID FILTER (IF FITTED)
8	LUBRICATION CUP & LEVEL
9	EARTH CABLE AIR MOTOR
10	EARTH CABLE FLUID FILTER (IF FITTED)
11	FLUID SUCTION HOSE/SUCTION TUBE/GRAVITY HOPPER - DEPENDING ON MODEL
12	AIR PRESSURE REGULATOR (SPRAY GUN) (IF FITTED)
13	LUBRICANT 0114-016099 SOLVENT BASED MATERIALS 0114-016100 WATER BASED MATERIALS
14	RELIEF/RETURN HOSE (IF FITTED)
15	FLUID CONTAINER

WARNING

WEAR EYE PROTECTION WHEN OPERATING THIS EQUIPMENT

WARNING

PUMP MUST BE GROUNDED BEFORE OPERATING, TO PREVENT STATIC CHARGES.

WARNING

HOSES MUST HAVE A SUITABLE WORKING PRESSURE ABOVE THE MAXIMUM PRESSURE POSSIBLE.


INSTALLATION

1. ENSURE THE PUMP IS LOCATED ON A SUITABLE & STABLE MOUNTING.
2. GROUND/EARTH THE PUMP WITH (9) OR (10), CHECK EARTH IS LESS THAN 1 Ohm.
3. CONNECT SUITABLE HOSES FOR AIR SUPPLY AND FLUID HOSE TO GUN.
4. FILL THE LUBRICATION CUP (8) WITH A SUITABLE LUBRICANT (13) SO IT IS VISIBLE IN THE LEVEL SIGHT GLASS.
5. ENSURE SUITABLE FILTER MESH (100 MESH, 150 μ m STD) IS INSTALLED IN THE FILTER(7).
6. ENSURE RETURN HOSE (14) IF FITTED, IS DIRECTED INTO THE FLUID CONTAINER (15).

CLEANING THE PUMP

NOTE	THE PUMP HAS BEEN TESTED WITH OIL, WATER OR OTHER MATERIAL. CLEAN THE PUMP PRIOR TO USE TO AVOID ANY CONTAMINATION.
-------------	---

1. INSERT SUCTION SYSTEM (11) & RETURN HOSE (14) (IF FITTED) INTO A CONTAINER WITH SUITABLE CLEANING FLUID.
2. CLOSE VALVE (2) AND SET REGULATORS (3) & (12) TO ZERO (WIND ANTICLOCKWISE), OPEN VALVE (5) IF FITTED.
3. REMOVE FLUID NOZZLE FROM THE SPRAY GUN FOR RETURNING FLUID INTO THE CONTAINER
4. CONNECT AIR SUPPLY
 - a) IF (5) IS FITTED:
 - 5a. OPEN VALVE (2), INCREASE REGULATOR PRESSURE (3) UNTIL PUMP STARTS TO OPERATE (APPROX. 1 bar [14.5 psi])
 - 6a. ALLOW FLUID TO CIRCULATE FOR SEVERAL MINUTES OR UNTIL SYSTEM IS CLEAN.
 - 7a. CLOSE VALVE (5) AND TRIGGER SPRAY GUN INTO CONTAINER FOR SEVERAL MINUTES TO CLEAN HOSE & GUN.
 - 8a. WITH THE TRIGGER STILL OPEN REDUCE REGULATOR PRESSURE (3) TO ZERO, AND OPEN VALVE (5) IF FITTED AND CLOSE TRIGGER.
 - b) IF (5) IS NOT FITTED.
 - 5b. TRIGGER SPRAY GUN AND HOLD OVER CONTAINER, INCREASE REGULATOR PRESSURE (3) UNTIL PUMP STARTS TO OPERATE (APPROX. 1 bar [14.5psi])
 - 6b. ALLOW FLUID TO CIRCULATE FOR SEVERAL MINUTES OR UNTIL SYSTEM IS CLEAN.
 - 7b. WITH THE TRIGGER STILL OPEN REDUCE REGULATOR PRESSURE(3) TO ZERO AND ENSURE NO PRESSURE IS LEFT IN THE HOSE AND GUN BEFORE CLOSING THE TRIGGER.

NOTE	REPEAT CLEANING PROCESS UNTIL CLEANING FLUID HAS NO CONTAMINATION, ESPECIALLY IF THE PUMP WILL NOT BE USED IMMEDIATELY, OR HAS BEEN USED WITH 2 COMPONENT PAINTS.
 CAUTION	WHEN THE SPRAY GUN IS NOT IN USE THE SAFTEY LOCK SHOULD BE ENGAGED TO PREVENT ACCIDENTAL OPERATION.

STARTUP

1. INSERT SUCTION SYSTEM (11) & RETURN HOSE (14) (IF FITTED) INTO A CONTAINER WITH THE FLUID TO BE SPRAYED
2. CLOSE VALVE (2) AND SET REGULATORS (3) & (12) TO ZERO (WIND ANTICLOCKWISE), OPEN VALVE (5) IF FITTED.
3. REMOVE SPRAY TIP FROM THE GUN FOR RETURNING FLUID INTO THE CONTAINER.
4. CONNECT AIR SUPPLY
 - a) IF (5) IS FITTED:
 - 5a. OPEN VALVE (2), INCREASE REGULATOR PRESSURE (3) UNTIL PUMP STARTS TO OPERATE.
 - 6a. WHEN FLUID FLOWS THROUGH HOSE (14) WITHOUT AERATION, CLOSE VALVE (5).
 - 7a. OPEN SPRAY GUN TRIGGER UNTIL FLUID FLOWS INTO CONTAINER WITHOUT AIR, THEN RELEASE TRIGGER.
 - b) IF (5) IS NOT FITTED.
 - 5b. TRIGGER SPRAY GUN AND HOLD OVER CONTAINER, INCREASE REGULATOR PRESSURE (3) UNTIL PUMP STARTS TO OPERATE.
 - 6b. KEEP TRIGGER OPEN UNTIL FLUID FLOWS INTO CONTAINER WITHOUT AERATION, THEN RELEASE TRIGGER.
8. REDUCE REGULATOR PRESSURE (3) TO ZERO.
9. APPLY SPRAY GUN SAFETY LOCK WHILE SPRAY TIP IS FITTED.
10. INCREASE REGULATOR PRESSURE(3) UNTIL DESIRED ATOMISATION IS ACHIEVED FROM SPRAY GUN.
11. INCREASE REGULATOR PRESSURE (12) TO ACHIEVE DESIRED SPRAY FAN.

SHUT DOWN

1. REDUCE REGULATOR PRESSURE (3) AND (12) TO ZERO.
2. TRIGGER GUN TO REDUCE SYSTEM PRESSURE.
3. OPEN VALVE (5) SLOWLY IF FITTED.
4. APPLY SPRAY GUN SAFETY LOCK WHILE SPRAY TIP IS REMOVED
5. TRIGGER GUN CAREFULLY INTO CONTAINER AND ENSURE FLUID SYSTEM IS DE-PRESSURISED.
6. CLOSE VALVE(2) AND REMOVE AIR SUPPLY.
7. APPLY SPRAY GUN SAFETY LOCK.
8. CLEAN AS INSTRUCTED AND SOAK/CLEAN SPRAYGUN FLUID NOZZLE.

NOTE	IF THE SYSTEM IS NOT USED FOR AN EXTENDED PERIOD IT IS RECOMMENDED TO BE FILLED WITH A LIGHT OIL AFTER CLEANING.
-------------	--

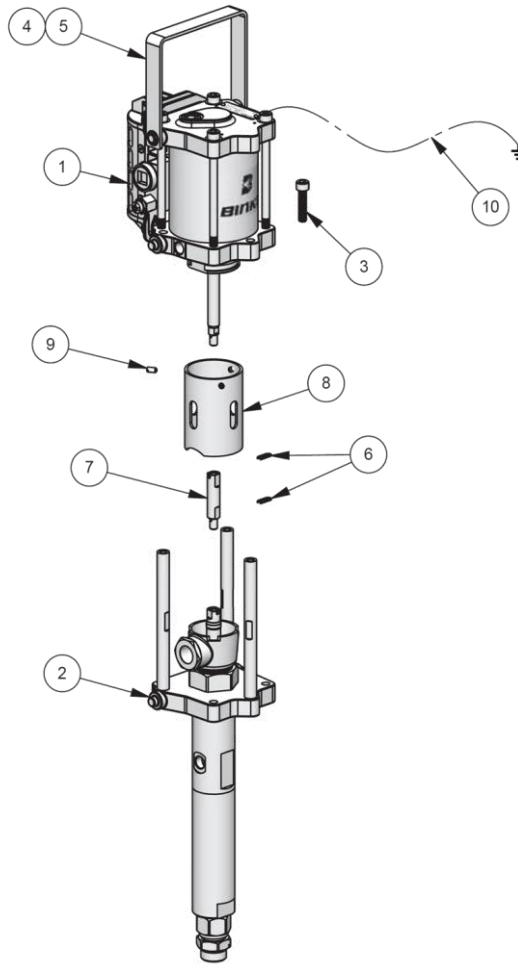
ATEX special conditions for safe use:

Pump Earthing

The pump must be earthed at all times. A resistance $<1\Omega$ when measuring with an ohm-meter at the earth point

Earth connection, Binks Part No. 0114-011798

MX432 & MXL432 BARE PUMP

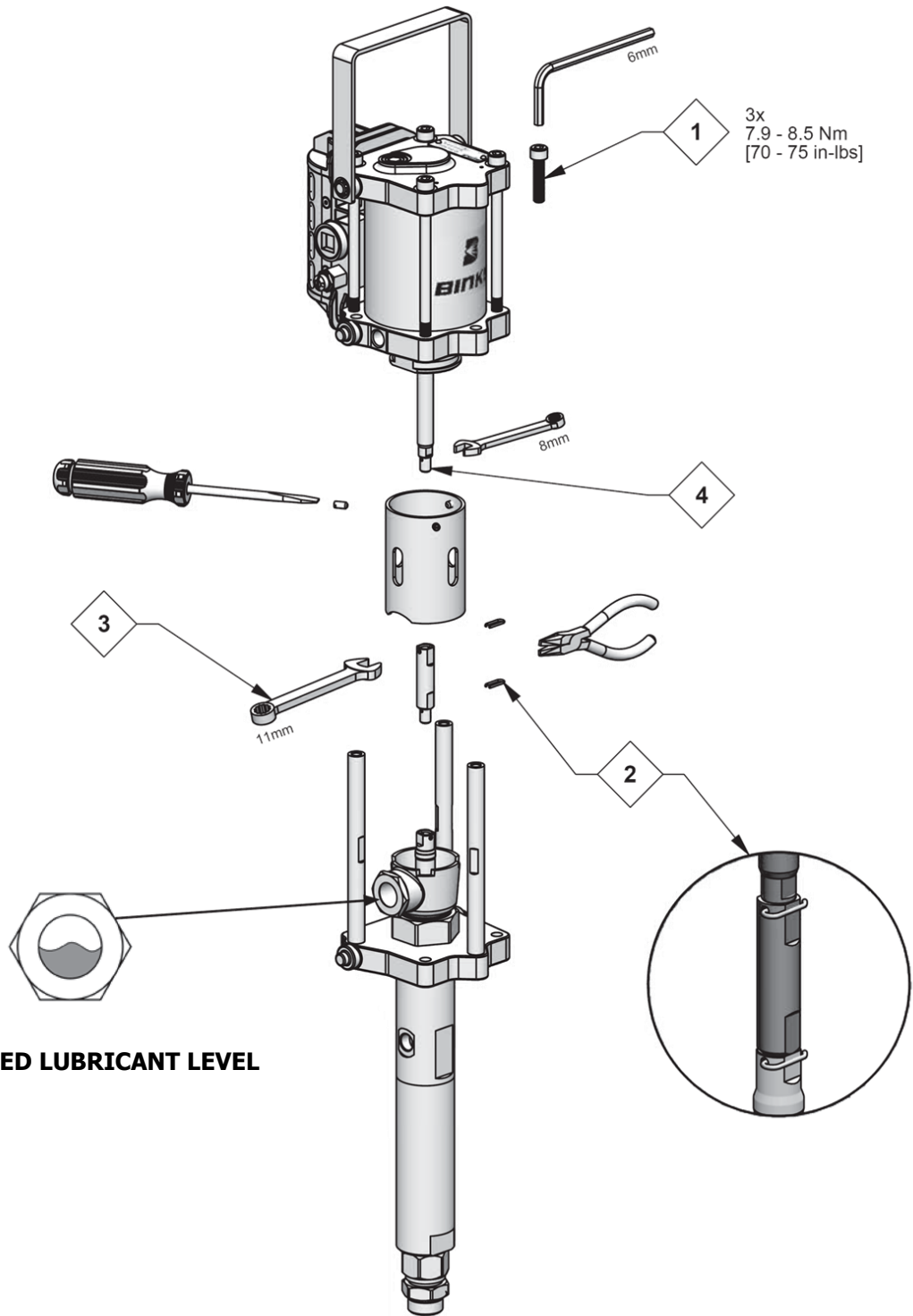


ITEM	PART NUMBER	DESCRIPTION	QUANTITY			
			MX432 & MXL432			
			PL	PP	PU	UC
1	AX85S	AIR MOTOR	1	1	1	1
2	FX4PL/FXL4PL	FLUID SECTION (PTFE/LEATHER)	1	-	-	-
	FX4PP/FXL4PP	FLUID SECTION (PTFE)	-	1	-	-
	FX4PU/FXL4PU	FLUID SECTION (PTFE/UHMW)	-	-	1	-
	FX4UC/FXL4UC	FLUID SECTION (U-CUPS)	-	-	-	1
3 Δ	0115-010001	SOCKET HEAD CAP SCREW	3	3	3	3
4	0114-014351	HANDLE	1	1	1	1
5	0115-010272	RETAINING RING	2	2	2	2
6 •	0115-010099	ROD CLIP	2	2	2	2
7	0115-010656	MOTOR ROD ADAPTER	1	1	1	1
8	0115-010655	GUARD	1	1	1	1
9	166001	SLOTTED SET SCREW	3	3	3	3
10	0114-011798	GROUND WIRE	1	1	1	1

• Part only available in repair kits: 0115-010220, 0115-010222 and 0115-010224.

Δ Part only available in AX85 Hardware kit: 0115-010213.

**MX432 & MXL432
BARE PUMP - MAINTENANCE**



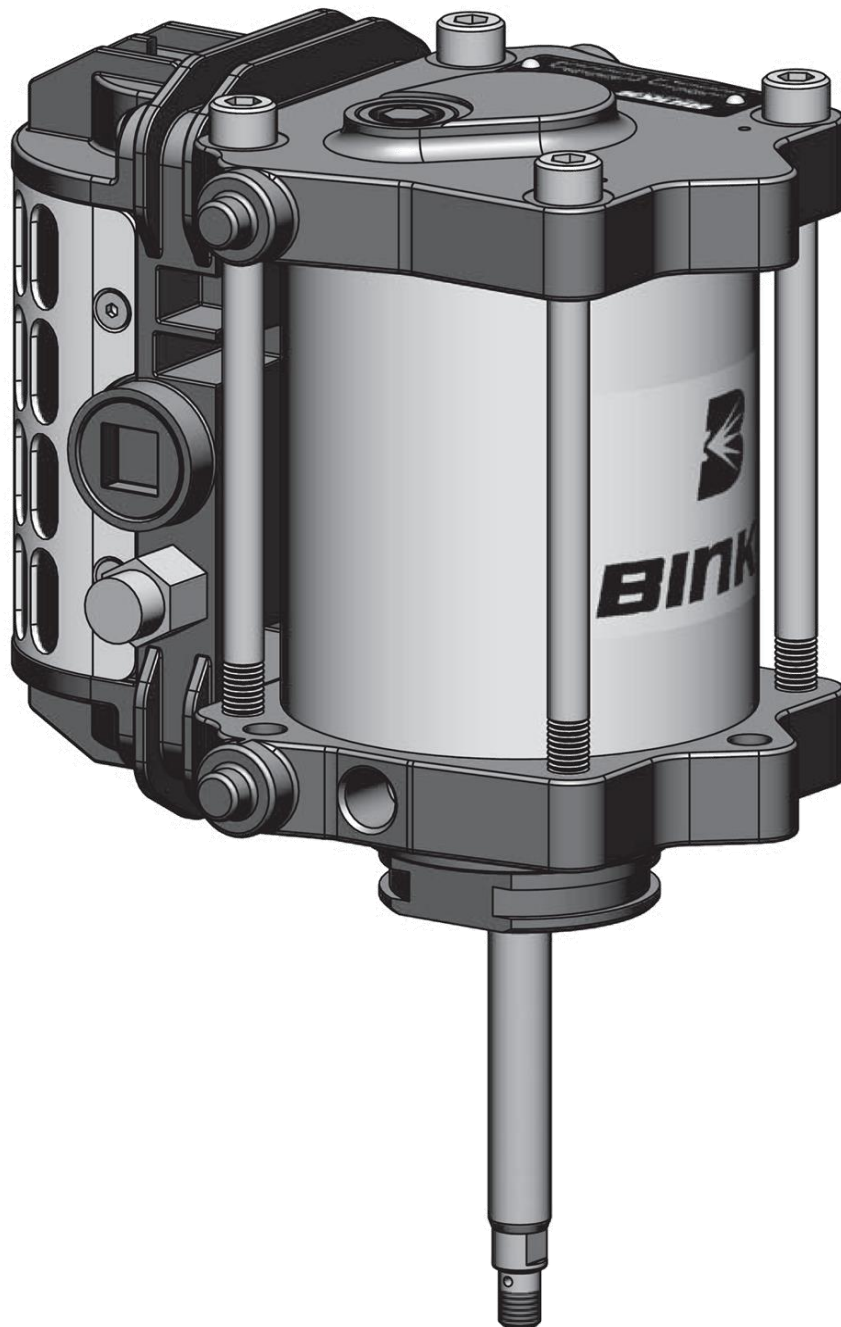
MAINTENANCE SYMBOLS

#	ITEM NUMBER
#	DISASSEMBLY ORDER <i>(Reverse for assembly)</i>
PG	PETROLEUM JELLY/GREASE
TS	THREAD SEALANT (PTFE tape)

MX432 & MXL432
BARE PUMP - TROUBLESHOOTING

PROBLEM	CAUSE	SOLUTION
Pump will not start	No compressed air.	Check compressed air supply.
	Spray tip is blocked.	Clean or replace the spray tip.
Erratic operation of air motor, air motor stops.	Worn poppet assemblies.	Replace poppet assemblies.
	Worn or dirty spool and sleeve assembly.	Clean or replace the spool and sleeve assembly as necessary.
Continuous air leak from the exhaust	Worn poppet assemblies.	Replace poppet assemblies.
	Worn piston seal.	Replace piston seal.
	Worn diaphragm.	Replace diaphragm.
Material in solvent cup.	Worn or dirty upper packings.	Replace or clean upper packings as necessary.
Pump does not stop on the down stroke	Worn or dirty lower ball check.	Replace or clean the parts as necessary.
Pump does not stop on the up stroke	Worn or dirty upper ball check.	Replace or clean the parts as necessary.
	Worn or dirty lower packings.	
Pump runs erratically	Blocked siphon kit.	Replace or clean the siphon kit.
	Blocked inlet filter or strainer.	Replace or clean inlet filter or strainer.
	Low material level.	Replace or refill material container.
Pump runs, with no output	Loose connection in between pump and siphon assembly.	Check that all connections are tight.
	Stuck lower ball.	Replace or clean the parts as necessary.

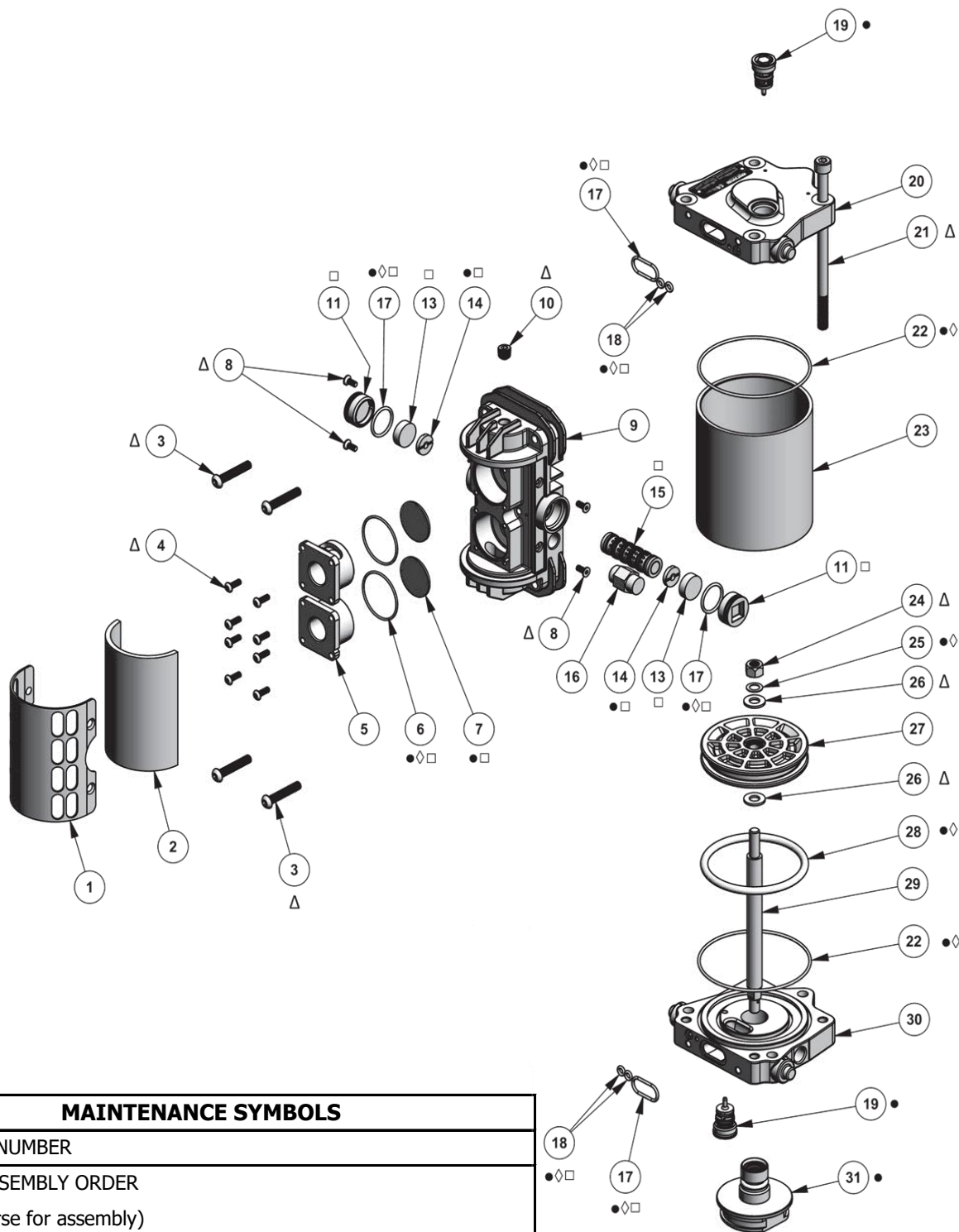
AX85S AIR MOTOR



Patent 7,603,855

SPECIFICATION	
Maximum air inlet pressure:	8 bar [116 psi]
Maximum recommended continuous cycle rate [cycles/min]:	20
Air inlet connection:	3/8" BSP(f)
Piston Diameter:	85 mm [3.3 in]
Stroke length:	75 mm [3.0 in]

AX85S AIR MOTOR



MAINTENANCE SYMBOLS	
#	ITEM NUMBER
#	DISASSEMBLY ORDER (Reverse for assembly)
PG	PETROLEUM JELLY/GREASE
TS	THREAD SEALANT (PTFE tape)

- Parts are included in 0115-010215 AX85 Repair Kit.
- ◆ Parts are included in 0115-010217 AX85 Seal Kit.
- Parts are included in 0115-010226 Air Motor Valve Repair Kit.
- △ Parts are included in 0115-010213 AX85 Hardware Kit.

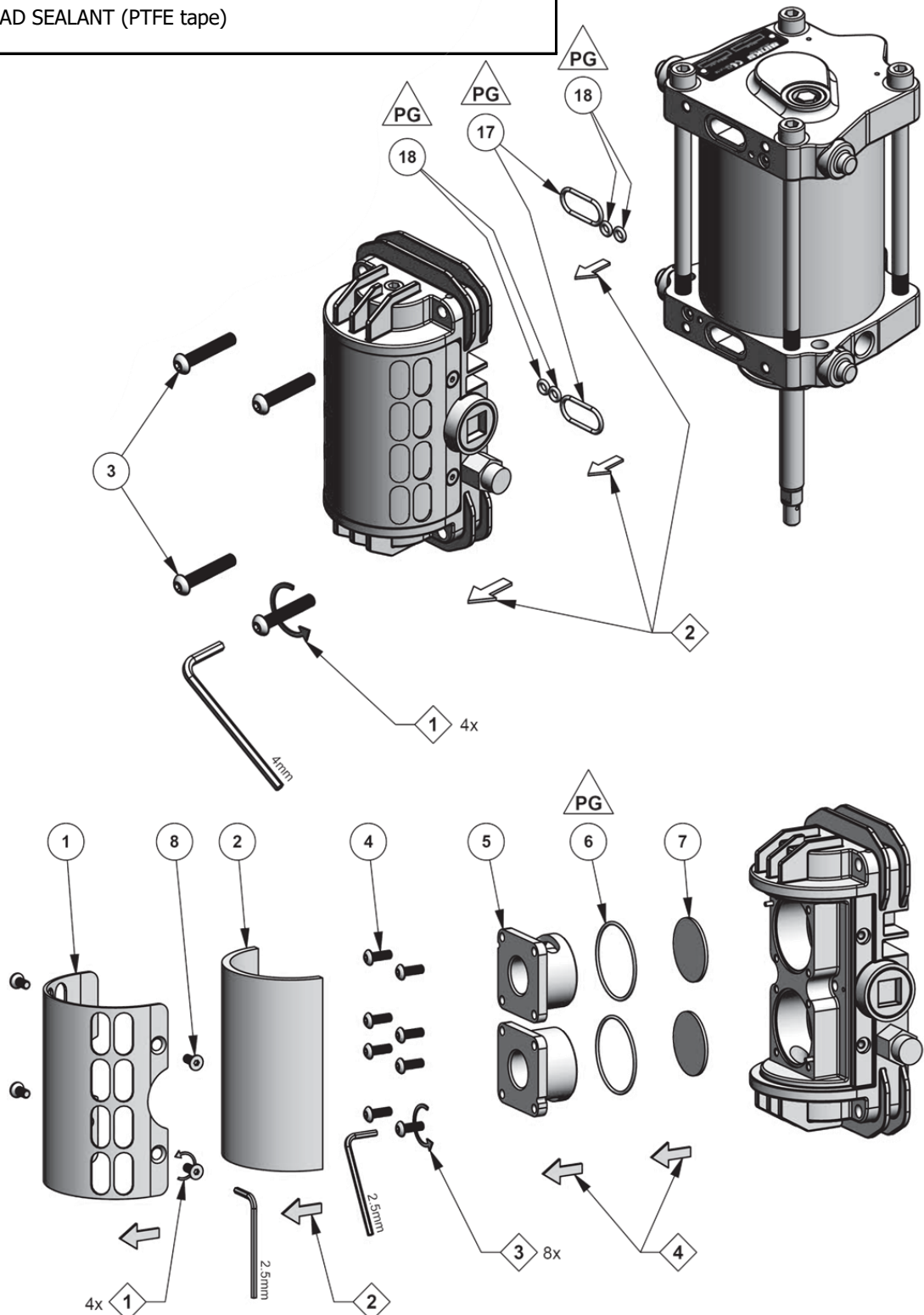
AX85S AIR MOTOR

REF.	PART NUMBER	DESCRIPTION	QTY
1	○	0115-010023 EXHAUST COVER SCREEN	1
2	○	0115-010022 EXHAUST COVER	1
3	○Δ	0115-010026 BUTTON HEAD CAP SCREW	4
4	○Δ	0115-010073 BUTTON HEAD CAP SCREW	8
5	○	0115-010019 QUICK EXHAUST VALVE CAGE	2
6	○+§□	0115-010021 O-RING	2
7	○+□	0115-010020 DIAPHRAGM	2
8	○Δ	0115-010024 COUNTER SUNK CAP SCREW	4
9	○	0115-010097 VALVE BLOCK.	1
10	○Δ	0115-010107 PIPE PLUG	1
11	○□	0115-010018 VALVE BLOCK END CAP	2
13	○□	0115-010017 MAGNET	2
14	○+□	0115-010016 BUMPER	2
15	○□	0115-010015 SPOOL AND SLEEVE ASSEMBLY	1
16	○	0114-014774 SAFETY VALVE	1
17	○+§□	0115-010049 O-RING	4
18	+§□	0115-010051 O-RING	4
19	+	0115-010037 POPPET ASSEMBLY	2
20		0115-010004 UPPER END CAP MACHINING	1
21	Δ	0115-010029 SOCKET HEAD CAP SCREW	4
22	+§	0115-010050 CYLINDER SEAL, 85mm	2
23		0115-010003 CYLINDER, 85mm	1
24	Δ	0115-010096 LOCKNUT	1
25	+§	0115-010036 SEALING RING	1
26	Δ	0115-010035 FLAT WASHER	2
27		0115-010336 PISTON, 85mm	1
28	+§	0114-014466 PISTON SEAL, 85mm	1
29		0115-010034 MOTOR ROD	1
30		0115-010006 LOWER END CAP MACHINING	1
31	+	0115-010657 MOTOR ROD CARTRIDGE ASSEMBLY	1

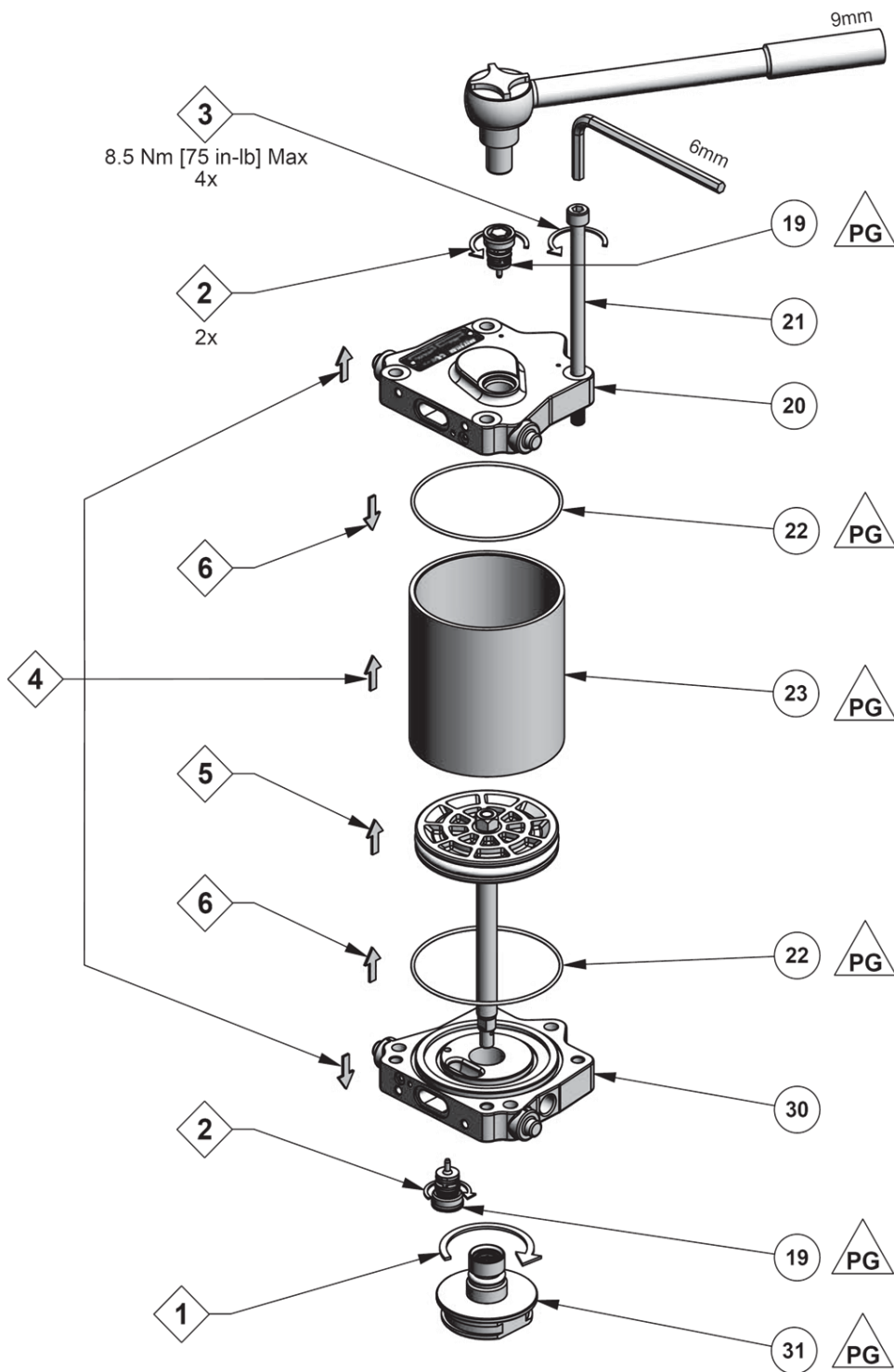
- Items available separately or as a complete assembly: 0115-010660.
- + Parts are included in 0115-010215 AX85 Repair Kit.
- § Parts are included in 0115-010217 AX85 Seal Kit.
- Parts are included in 0115-010226 Air Motor Valve Repair Kit.
- Δ Parts are included in 0115-010213 AX85 Hardware Kit.

AX85S AIR MOTOR - MAINTENANCE

MAINTENANCE SYMBOLS	
#	ITEM NUMBER
#	DISASSEMBLY ORDER <i>(Reverse for assembly)</i>
PG	PETROLEUM JELLY/GREASE
TS	THREAD SEALANT (PTFE tape)



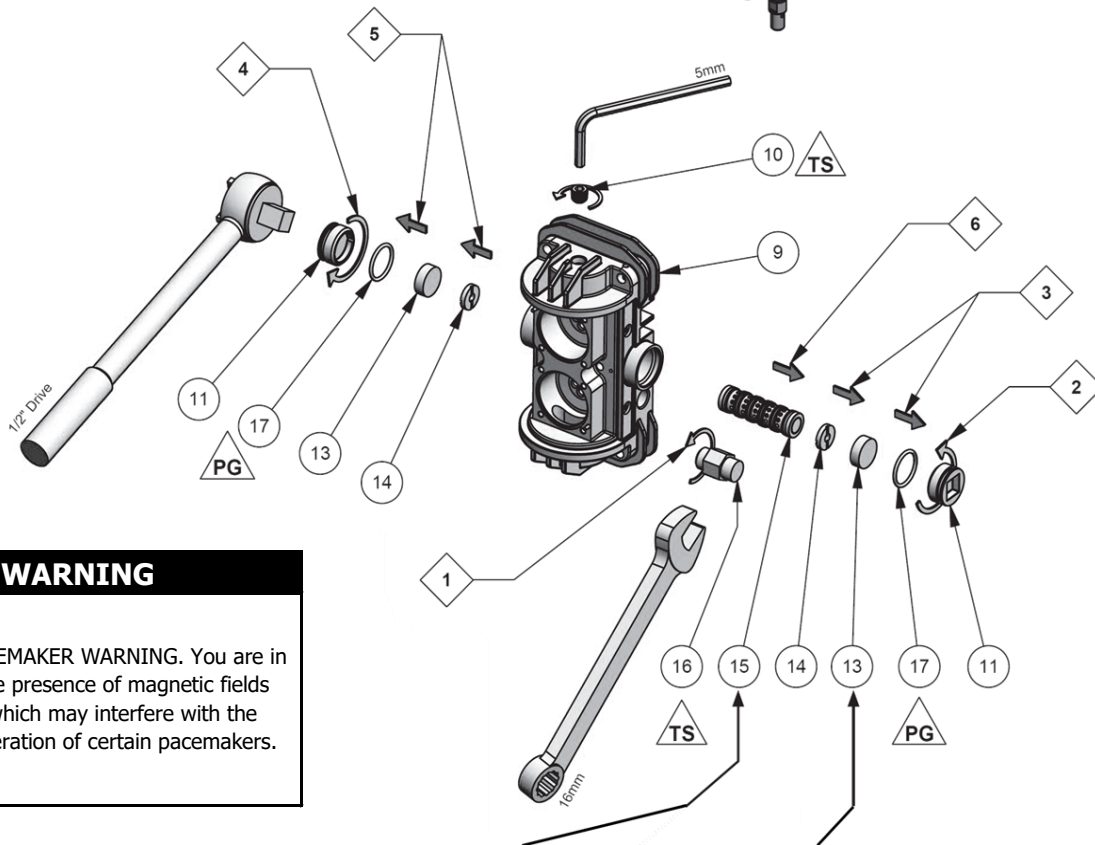
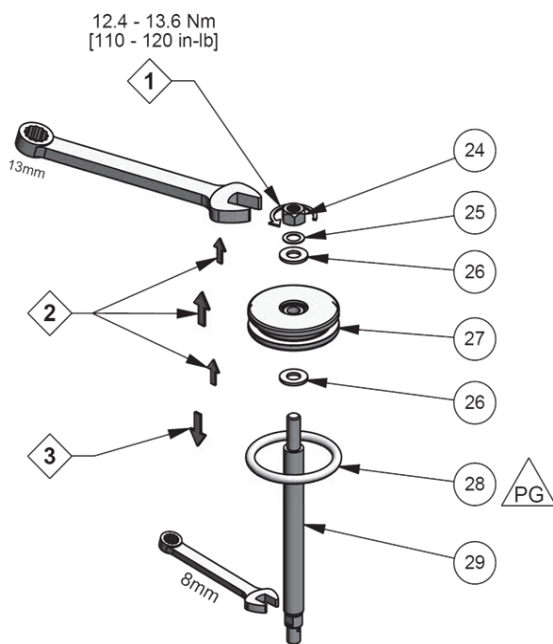
AX85S AIR MOTOR - MAINTENANCE



MAINTENANCE SYMBOLS	
#	ITEM NUMBER
#	DISASSEMBLY ORDER <i>(Reverse for assembly)</i>
PG	PETROLEUM JELLY/GREASE
TS	THREAD SEALANT (PTFE tape)

AX85S AIR MOTOR - MAINTENANCE

MAINTENANCE SYMBOLS	
#	ITEM NUMBER
#	DISASSEMBLY ORDER (Reverse for assembly)
PG	PETROLEUM JELLY/GREASE
TS	THREAD SEALANT (PTFE tape)



⚠	WARNING
	<p>PACEMAKER WARNING. You are in the presence of magnetic fields which may interfere with the operation of certain pacemakers.</p>

NOTE	⚠ CAUTION
<p>Spool and sleeve assembly (15) is a matched set and cannot be interchanged with other spool and sleeve assemblies</p>	<p>Take care when handling the magnets (13). Avoid getting magnets in close proximity to each other. Injury or damage to magnets may result.</p>

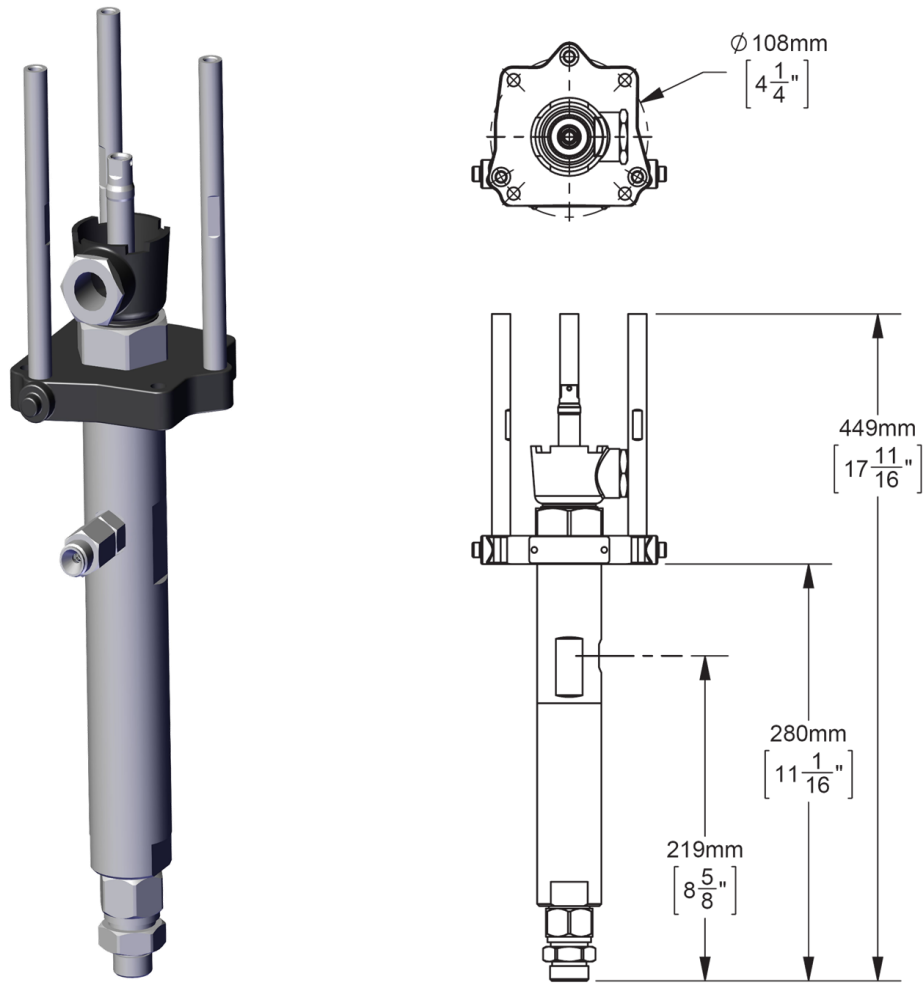
AX85S AIR MOTOR - TROUBLESHOOTING

PROBLEM	CAUSE	SOLUTION
Pump will not start	No compressed air. System is blocked.	Check compressed air supply. Clear the blockage.
Erratic operation of air motor, air motor stops.	Worn poppet assemblies. Worn or dirty spool and sleeve assembly.	Replace poppet assemblies. Clean or replace the spool and sleeve assembly as necessary.
Continuous air leak from the exhaust	Worn poppet assemblies. Worn piston seal. Worn diaphragm.	Replace poppet assemblies. Replace piston seal. Replace diaphragm.

FX4 AND FXL4

Fluid Section

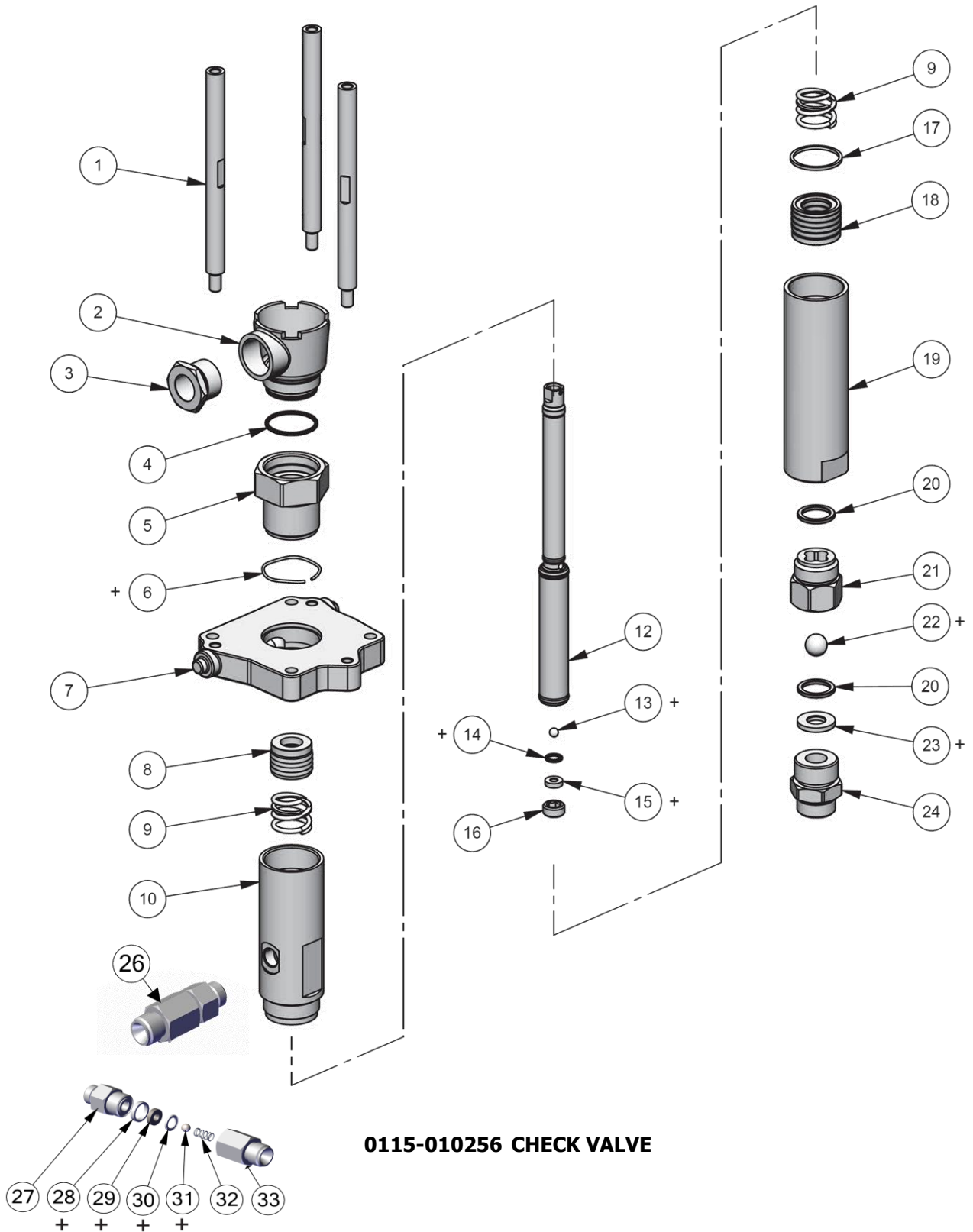
Models: FX4## & FXL4##, ##=PL (PTFE/Leather), PP (PTFE), PU (PTFE/UHMWPE), UC (U-Cups)



SPECIFICATION	
Maximum fluid pressure:	256 bar [3713psi]
Displacement per cycle:	24 cc [0.8oz]
Output @ 60 cycles / min:	1.4 L/m [0.4 gal/m]
Fluid inlet size:	FX-3/4" NPS (m), FXL-1/2" NPS (m)
Fluid outlet size:	M14 x 1.5 (f)
Weight:	4.2 kg [9.2 lbs]
Wetted parts materials of construction:	Stainless Steel, Tungsten Carbide, Hard Chrome, PTFE, Polyethylene, Leather, Ceramic

FX4 & FXL4 Fluid Section (Chevron seals)

Models: FX4## & FXL4##, ##=PL (PTFE/Leather), PP (PTFE), PU (PTFE/UHMWPE).



Item 3 is self-tapping into item 2.

		FX*4PL	FX*4PP	FX*4PU
•	Parts are included in Seal Kit:	0115-010221	0115-010223	0115-010225
+	Parts are included in Repair Kit:	0115-010222	0115-010224	0115-010388

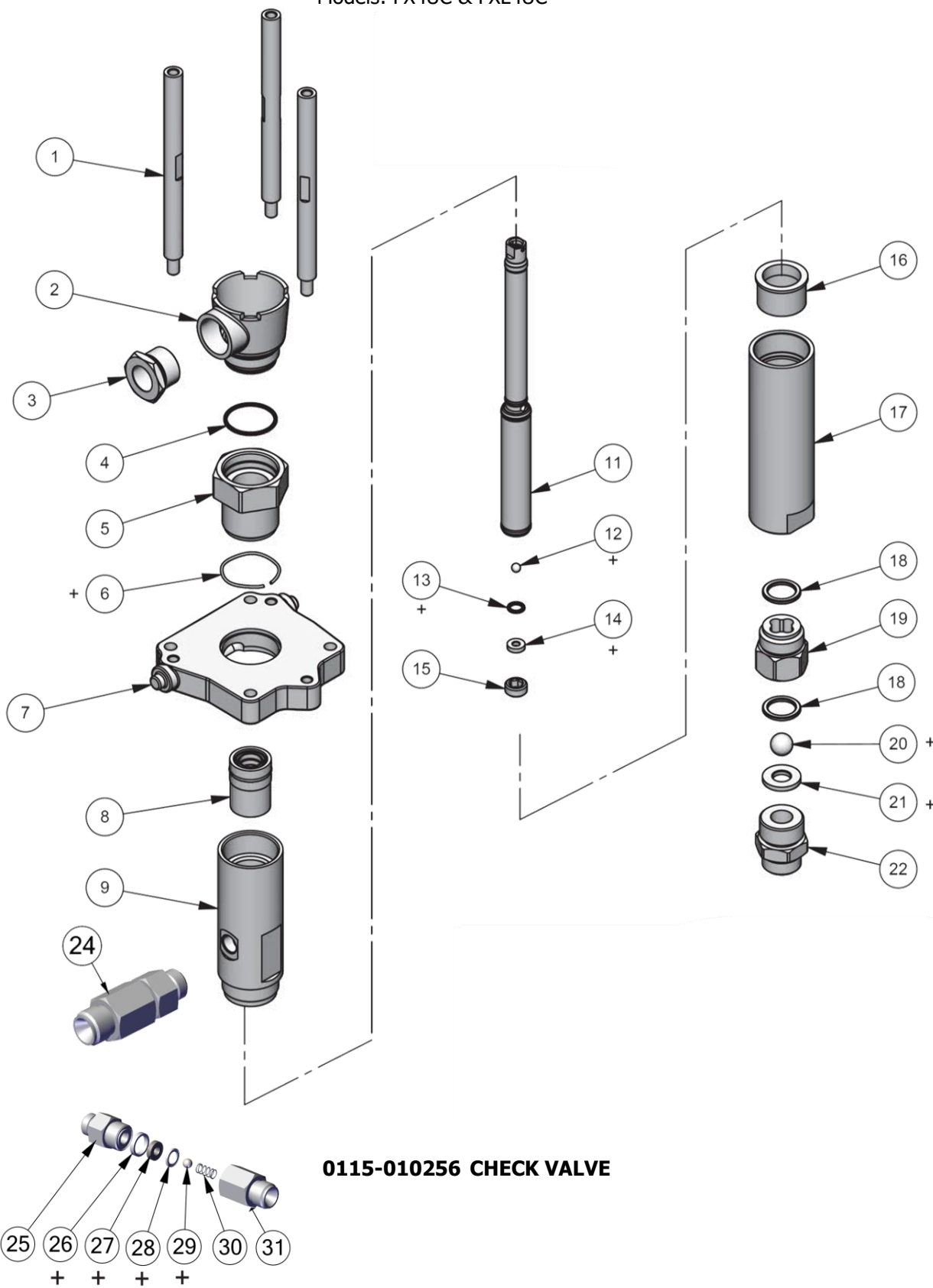
FX4 & FXL4 Fluid Section (Chevron seals)

Models: FX4## & FXL4##, ##=PL (PTFE/Leather), PP (PTFE), PU (PTFE/UHMWPE).

ITEM	PART NUMBER	DESCRIPTION	QUANTITY		
			FX4 & FXL4		
			PL	PP	PU
1	0115-010646	PUMP TIE ROD	3	3	3
2	0115-010059	SOLVENT CUP	1	1	1
3	0115-010060	SIGHT GLASS	1	1	1
4'+	0115-010061	SOLVENT CUP SEAL	1	1	1
5	0115-010062	PACKING ADAPTER	1	1	1
6+	0115-010058	WAVE SPRING	1	1	1
7	0115-010204	ADAPTER PLATE MACHINING	1	1	1
8'+	0115-010171	UPPER PACKING SET (PTFE/LEATHER)	1	-	-
	0115-010175	UPPER PACKING SET (PTFE/UHMW)	-	-	1
	0115-010206	UPPER PACKING SET (PTFE)	-	1	-
9	0115-010111	PACKING SPRING	2	2	2
10	0115-010055	UPPER PUMP TUBE	1	1	1
12	0115-010063	PUMP ROD (HARD CHROME)	1	1	1
13+	0114-014745	6mm UPPER BALL	1	1	1
14+	0115-010065	ROD SEAT SEAL	1	1	1
15+	0115-010066	ROD SEAT	1	1	1
16	0115-010067	ROD SEAT NUT	1	1	1
17'+	0115-010064	LOWER PUMP TUBE SET	1	1	1
18'+	0115-010173	LOWER PACKING SET (PTFE/LEATHER)	1	-	-
	0115-010177	LOWER PACKING SET (PTFE/UHMW)	-	-	1
	0115-010207	LOWER PACKING SET (PTFE)	-	1	-
19	0115-010056	LOWER PUMP TUBE	1	1	1
20'+	0115-010068	LOWER SEAT SEAL	2	2	2
21	0115-010057	LOWER BALL CAGE	1	1	1
22+	0114-014237	15mm LOWER BALL	1	1	1
23+	0115-010069	LOWER SEAT	1	1	1
24	0115-010149	INLET 3/4" NPS(m) FX4 ONLY	1	1	1
	0115-010070	INLET 1/2" NPS(m) FXL4 ONLY	1	1	1
25+	0115-010099	ROD CLIP (not shown)	2	2	2
26	0115-010256	FX4 CHECK VALVE ASSEMBLY - FXL4 ONLY	1	1	1
27	0115-010258	FLUID OUTLET FITTING	1	1	1
28+	0115-010259	SEAL	1	1	1
29+	0115-010066	ROD SEAT	1	1	1
30+	0115-010065	ROD SEAT SEAL	1	1	1
31+	0114-014745	6mm UPPER BALL	1	1	1
32	0115-010087	CHECK VALVE SPRING	1	1	1
33	0115-010257	CHECK VALVE HOUSING	1	1	1

FX4 & FXL4 Fluid Section (U-cup seals)

Models: FX4UC & FXL4UC



Item 3 is self-tapping into item 2.

FX4 & FXL4 Fluid Section (U-cup seals)

Models: FX4UC & FXL4UC

ITEM	PART NUMBER	DESCRIPTION	QTY
1	0115-010646	PUMP TIE ROD	3
2	0115-010059	SOLVENT CUP	1
3	0115-010060	SIGHT GLASS	1
4'•+	0115-010061	SOLVENT CUP SEAL	1
5	0115-010062	PACKING ADAPTER	1
6+	0115-010058	WAVE SPRING	1
7	0115-010204	ADAPTER PLATE MACHINING	1
8'•+	0115-010166	UPPER SEAL CARTRIDGE ASSEMBLY	1
9	0115-010055	UPPER PUMP TUBE	1
11	0115-010063	PUMP ROD (HARD CHROME)	1
12+	0114-014745	6mm UPPER BALL	1
13+	0115-010065	ROD SEAT SEAL	1
14+	0115-010066	ROD SEAT	1
15	0115-010067	ROD SEAT NUT	1
16'•+	0115-010169	LOWER SEAL CARTRIDGE ASSEMBLY	1
17	0115-010056	LOWER PUMP TUBE	1
18'•+	0115-010068	LOWER SEAT SEAL	2
19	0115-010057	LOWER BALL CAGE	1
20+	0114-014237	15mm LOWER BALL	1
21+	0115-010069	LOWER SEAT	1
22	0115-010149	INLET 3/4" NPS(m) FX4 ONLY	1
	0115-010070	INLET 1/2" NPS(m) FXL4 ONLY	1
23+	0115-010099	ROD CLIP (not shown)	2
24	0115-010256	FX4 CHECK VALVE ASSEMBLY - FXL4 ONLY	1
25	0115-010258	FLUID OUTLET FITTING	1
26+	0115-010259	SEAL	1
27+	0115-010066	ROD SEAT	1
28+	0115-010065	ROD SEAT SEAL	1
29+	0114-014745	6mm UPPER BALL	1
30	0115-010087	CHECK VALVE SPRING	1
31	0115-010257	CHECK VALVE HOUSING	1

• Parts are included in 0115-010219 Seal Kit (U-CUPS).

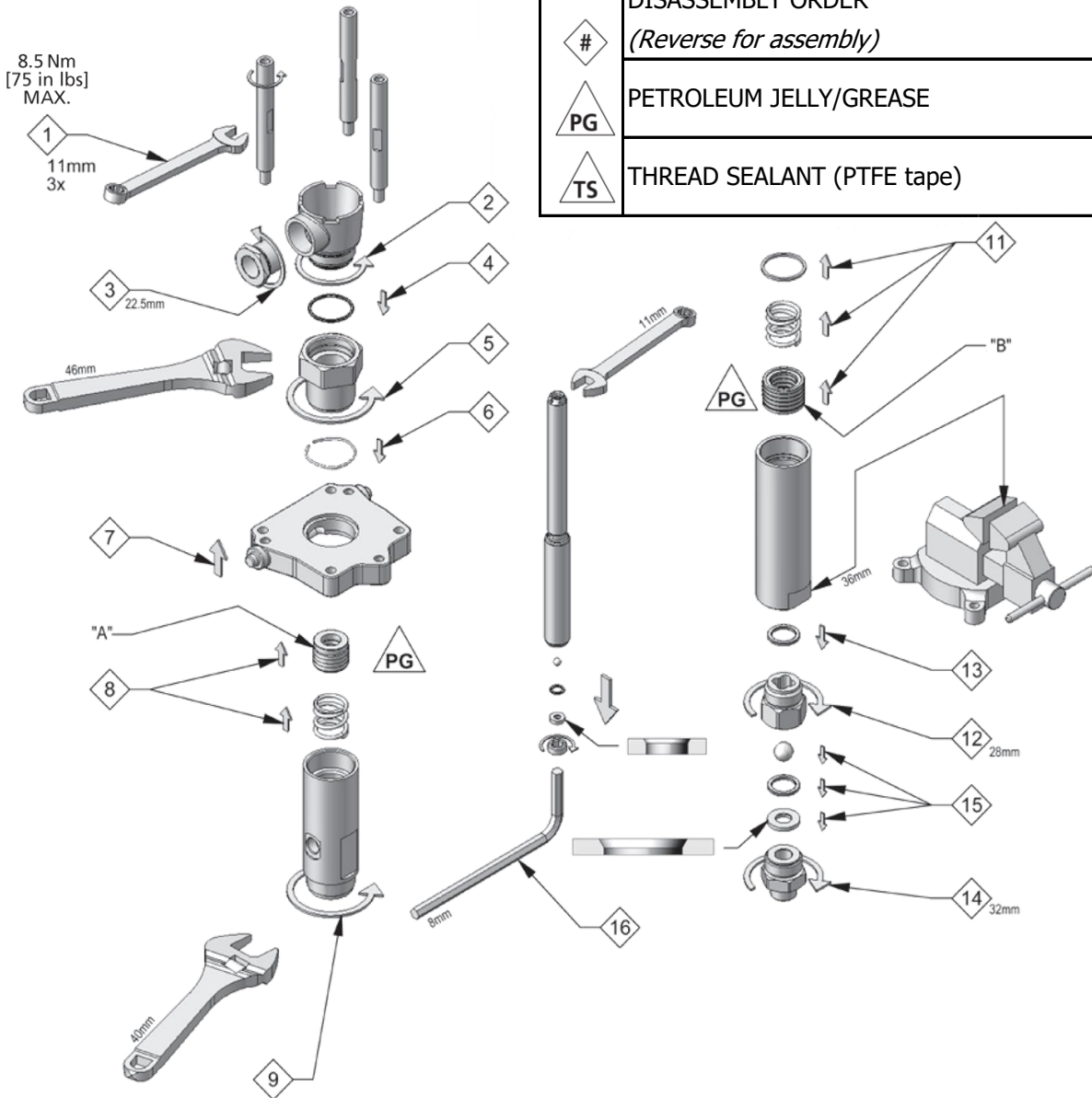
+ Parts are included in 0115-010220 Repair Kit (U-CUPS).

FX4 & FXL4 Fluid Section (Chevron seals)

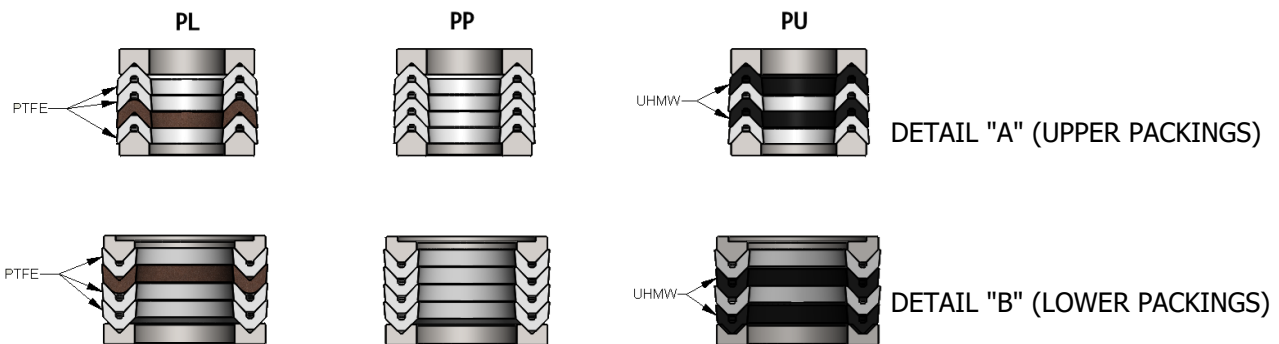
MAINTENANCE

Models: FX4++ & FXL4++, ++=PL (PTFE/Leather), PP (PTFE), PU (PTFE/UHMWPE).

MAINTENANCE SYMBOLS	
#	ITEM NUMBER
#	DISASSEMBLY ORDER <i>(Reverse for assembly)</i>
PG	PETROLEUM JELLY/GREASE
TS	THREAD SEALANT (PTFE tape)



FX4 & FXL4 SEAL ORIENTATION

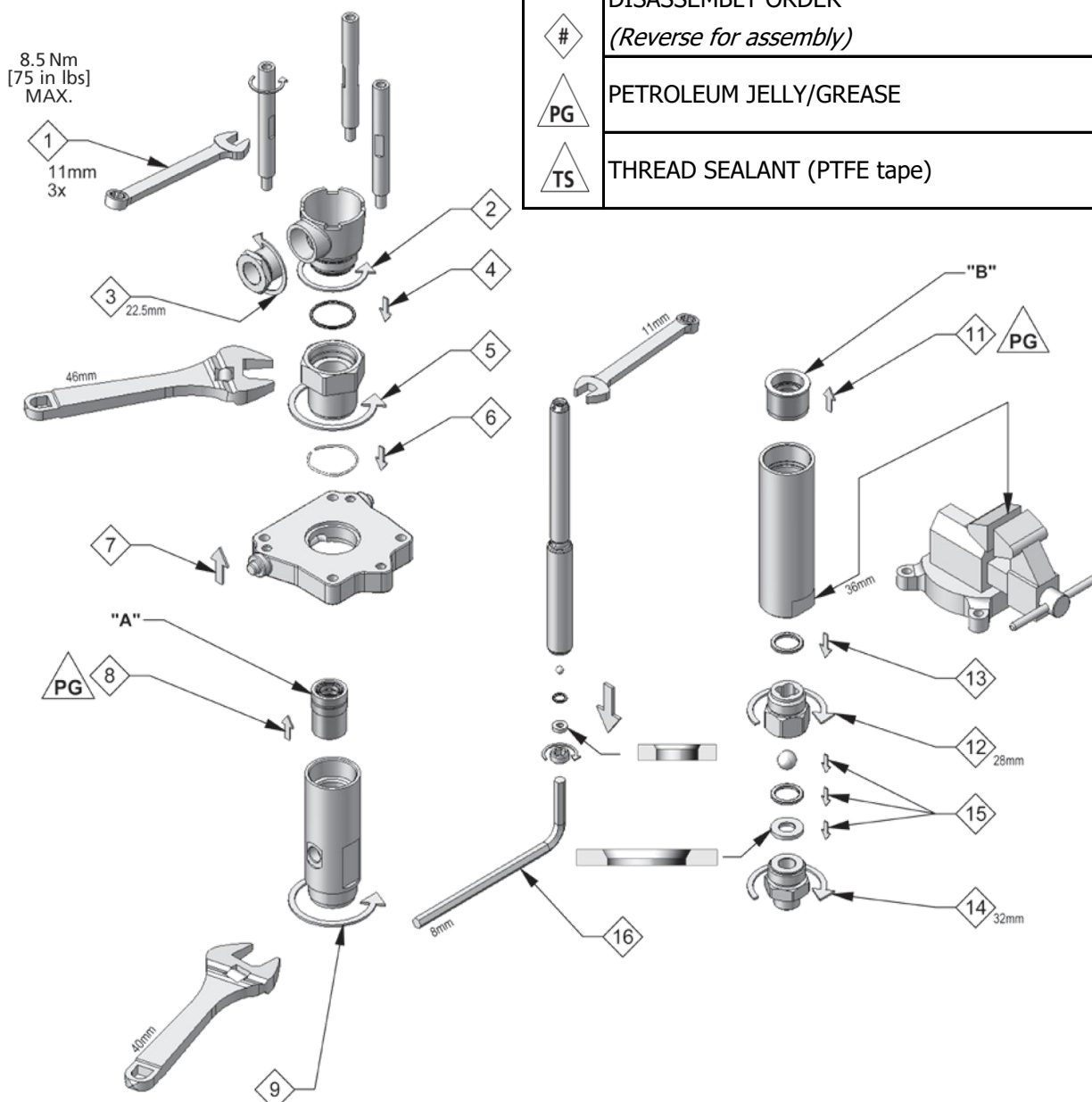


FX4 & FXL4 Fluid Section (U-cup seals)

MAINTENANCE

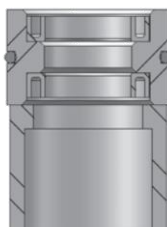
Models: FX4UC & FXL4UC

MAINTENANCE SYMBOLS	
#	ITEM NUMBER
#	DISASSEMBLY ORDER <i>(Reverse for assembly)</i>
PG	PETROLEUM JELLY/GREASE
TS	THREAD SEALANT (PTFE tape)

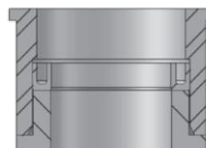


FX4 & FXL4 SEAL ORIENTATION

DETAIL "A" UPPER SEAL



DETAIL "B" LOWER SEAL



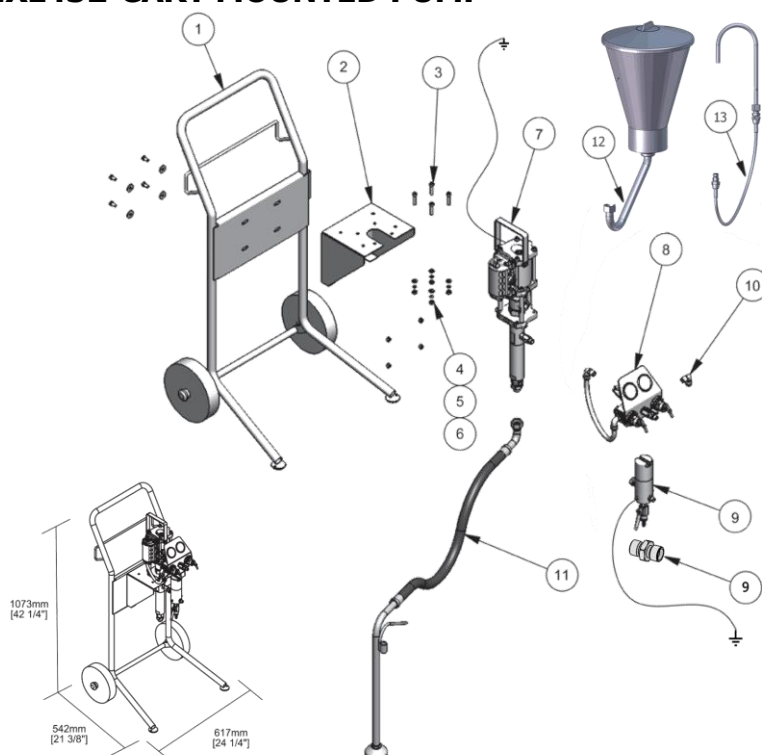
FLUID SECTION - TROUBLESHOOTING

PROBLEM	CAUSE	SOLUTION
Material in solvent cup	Worn or dirty upper packings.	Replace or clean upper packings as necessary.
Pump does not stop on the down stroke	Worn or dirty lower ball check.	Replace or clean the parts as necessary.
Pump does not stop on the up stroke	Worn or dirty upper ball check. Worn or dirty lower packings.	Replace or clean the parts as necessary.
Pump runs erratically	Blocked material siphon kit. Blocked inlet filter or strainer. Low material level.	Replace or clean the siphon kit. Replace or clean inlet filter or strainer. Replace or refill material container.
Pump runs, with no output	Loose connection in between pump and siphon assembly. Stuck lower ball.	Check that all connections are tight. Replace or clean the parts as necessary.

Packing Recommendation

Packing Material	Recommendation
PU (PTFE & UHMW)	Most materials
PL (PTFE & Leather)	High temperature applications
PP (PTFE)	UV and acid based materials
UC (U-Cups)	Low friction applications

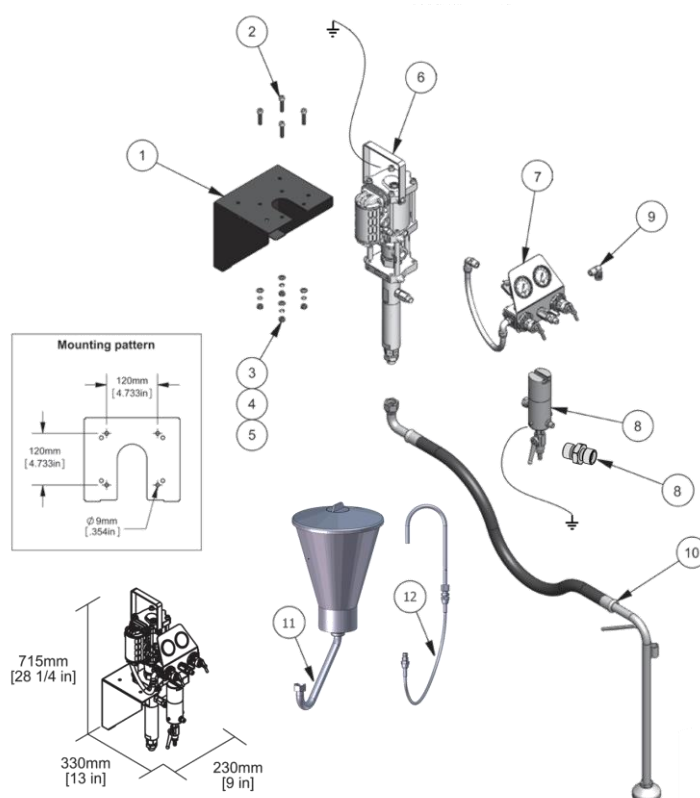
MX432 & MXL432 CART MOUNTED PUMP



*= OPTIONS

ITEM	PART NUMBER	DESCRIPTION	QTY	
			MX	MXL
1	0115-010186	CART	1	
2	0115-010179	WALL BRACKET	1	
3	0115-010001	SCREW	4	
4	0115-010030	M8 HEX NUT	4	
5	0115-010031	M8 LOCKWASHER	4	
6	0115-010035	M8 PLAIN WASHER	4	
7	MX432XX	MX432 BARE PUMP	1	-
	MXL432XX	MXL432 BARE PUMP	-	1
8	0115-010180	AIR CONTROL 2 REGULATORS & VALVE	1	-
	0115-010664	AIR CONTROL 2 REGULATORS	-	1
9	0110-009130	HP FILTER (100 mesh)	1	1*
	0115-010705	OUTLET FITTING	-	1*
10	0114-009164	ELBOW FITTING	1	
11	0115-010236	3/4" SUCTION HOSE (20 mesh)	1	-
	0115-010696	1/2" SUCTION HOSE (20 mesh)	-	1
12	0115-010726	HOPPER 6L [1.6 US Gal] [3/4" CONNECTION]	1*	-
	0115-010701	HOPPER 6L [1.6 US Gal] [1/2" CONNECTION]	-	1*
13	0114-009629	RETURN HOSE	1*	-
	0115-010712	RETURN HOSE	-	1*

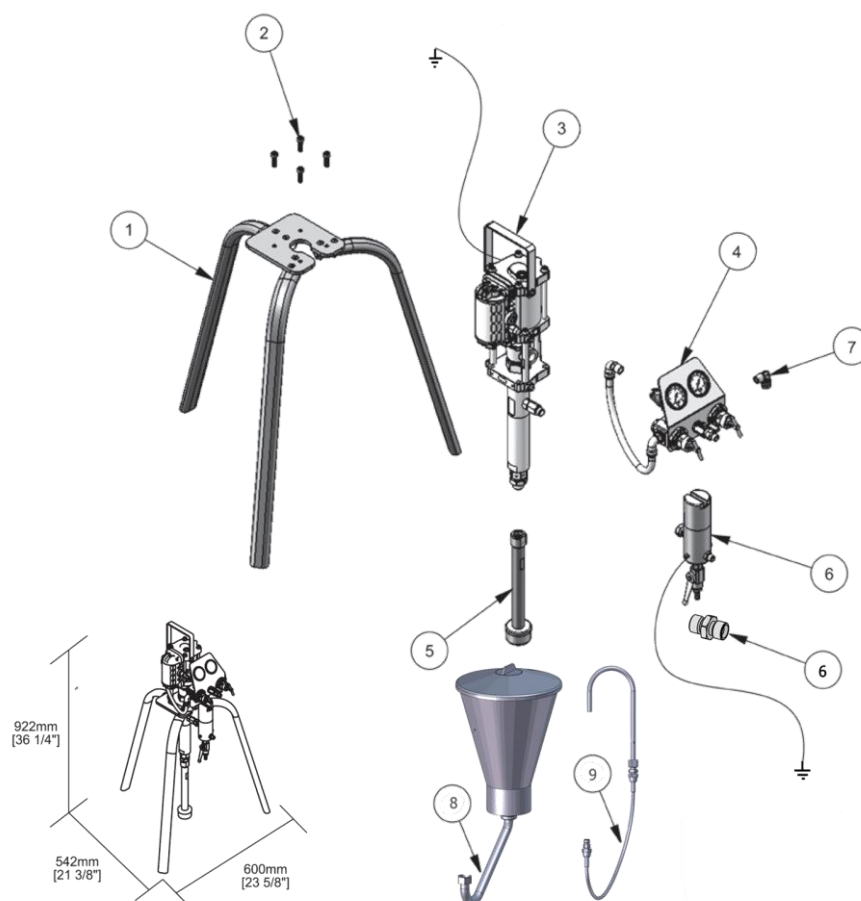
MX432 & MXL432 WALL MOUNTED PUMP



* = OPTIONS

ITEM	PART NUMBER	DESCRIPTION	QTY	
			MX	MXL
1	0115-010179	WALL BRACKET	1	
2	0115-010001	SCREW	4	
3	0115-010030	M8 HEX NUT	4	
4	0115-010031	M8 LOCKWASHER	4	
5	0115-010035	M8 PLAIN WASHER	4	
6	MX432XX	MX432 BARE PUMP	1	-
	MXL432XX	MXL432 BARE PUMP	-	1
7	0115-010180	AIR CONTROL 2 REGULATORS & VALVE	1	-
	0115-010664	AIR CONTROL 2 REGULATORS	-	1
8	0110-009130	HP FILTER (100 mesh)	1	1*
	0115-010705	OUTLET FITTING	-	1*
9	0114-009164	ELBOW FITTING	1	
10	0115-010236	3/4" SUCTION HOSE (20 mesh)	1	1
	0115-010696	1/2" SUCTION HOSE (20 mesh)	-	-
11	0115-010726	HOPPER 6L [1.6 US Gal] [3/4" CONNECTION]	1*	-
	0115-010701	HOPPER 6L [1.6 US Gal] [1/2" CONNECTION]	-	1*
12	0114-009629	1/4" RETURN HOSE	1*	-
	0115-010712	1/4" RETURN HOSE	-	1*

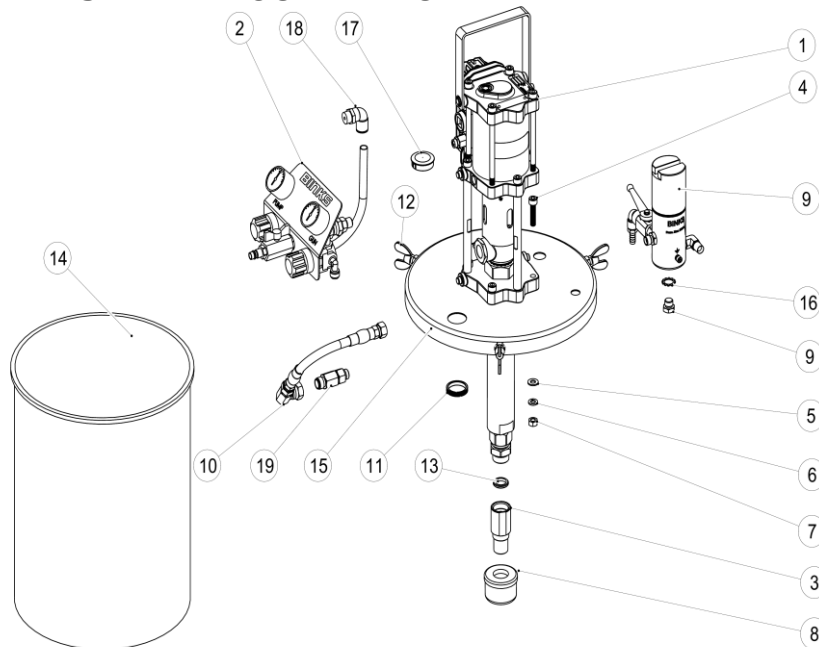
MX432 & MXL432 TRIPOD MOUNTED PUMP



* = OPTIONS

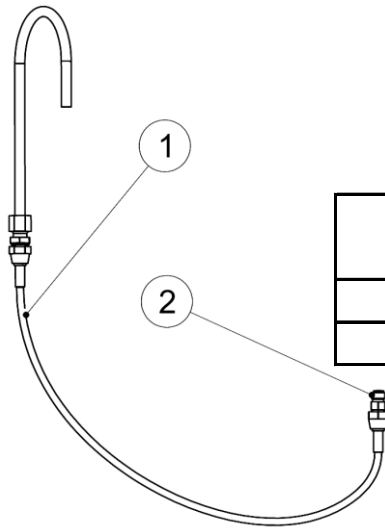
ITEM	PART NUMBER	DESCRIPTION	QTY	
			MX	MXL
1	0115-010100	TRIPOD	1	
2	0115-010227	SCREW	4	
3	MX432XX	MX432 BARE PUMP	1	-
	MXL432XX	MXL432 BARE PUMP	-	1
4	0115-010180	AIR CONTROL 2 REGULATORS & VALVE	1	-
	0115-010664	AIR CONTROL 2 REGULATORS	-	1
5	0115-010670	3/4" SUCTION TUBE (50 mesh)	1	-
	0115-010699	1/2" SUCTION TUBE (50 mesh)	-	1
6	0110-009130	HP FILTER (100 mesh)	1	1*
	0115-010705	OUTLET FITTING	-	1*
7	0114-009164	ELBOW FITTING	1	
8	0115-010726	HOPPER 6L [1.6 US Gal] [3/4" CONNECTION]	1*	-
	0115-010701	HOPPER 6L [1.6 US Gal] [1/2" CONNECTION]	-	1*
9	0114-009629	1/4" RETURN HOSE	1*	-
	0115-010712	1/4" RETURN HOSE	-	1*

MX432 & MXL432 PAIL MOUNTED PUMP



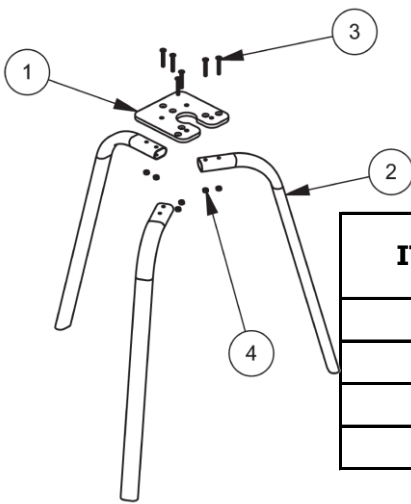
ITEM	PART NUMBER	DESCRIPTION	QTY	
			MX	MXL
1	MX432XX	MX432 BARE PUMP	1	-
	MXL432XX	MXL432 BARE PUMP	-	1
2	0115-010180	AIR CONTROL 2 REGULATORS & VALVE	1	-
	0115-010664	AIR CONTROL 2 REGULATORS	-	1
3	0115-010201	3/4" FILTER ADAPTOR	1	-
	0115-010706	1/2" FILTER ADAPTOR	-	1
4	0115-010320	M8 x 35 mm SCREW SS	4	
5	0115-010035	PLAIN WASHER	4	
6	0115-010321	M8 LOCKWASHER S.S.	4	
7	0114-014546	M8 NUT SS	4	
8	0115-010668	3/4" STRAINER	1	-
	0115-010704	1/2" STRAINER	-	1
9	0115-010200	FILTER - PAIL MOUNT	1	1
10	0115-010109	FLUID HOSE	1	
11	0115-010110	GROMMET	1	
12	0114-014200	WING BOLT	3	
13	0115-010693	3/4" INLET SEAL	1	-
	0115-010165	1/2" INLET SEAL	-	1
14	0114-014445	CONTAINER	1	
15	0115-010108	PAIL COVER	1	
16	0115-010203	LOCKWASHER	1	
17	0115-010337	PLUG	1	
18	0115-010181	ELBOW FITTING	1	
19	0115-010269	CHECK VALVE	1	

ACCESSORIES



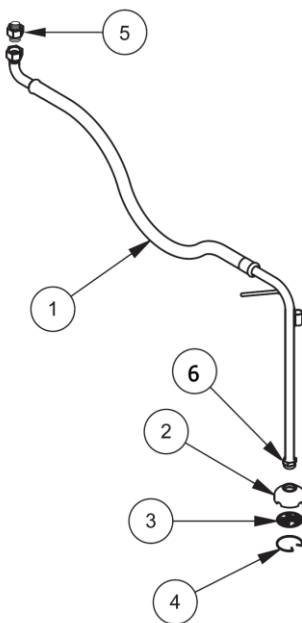
0114-009629
1/4" RETURN HOSE

ITEM	PART NO.	DESCRIPTION	QTY
1	0115-010695	DUMP HOSE & TUBE	1
2	0114-016059	1/4" FITTING	1



0115-010100
TRIPOD

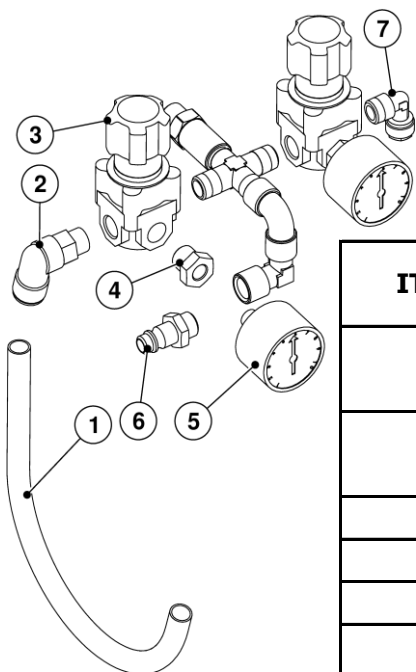
ITEM	PART NO.	DESCRIPTION	QTY
1	0115-010101	MOUNTING PLATE	1
2	0115-010210	TRIPOD LEG	3
3	0115-010212	FLAT HEAD SCREW	6
4	0115-010211	LOCKING NUT	6



0115-010236
3/4" SUCTION HOSE (MX)

ITEM	PART NO.	DESCRIPTION	QTY
1	0114-018506	SUCTION HOSE (DN20)	1
2	0114-013734	FILTER HOUSING	1
3	0114-014112	STRAINER (20 MESH)	1
4	0114-014080	RETAINING RING	1
5	0111-010235	3/4"(m)-1/2"(f) ADAPTER	1
6	0114-016024	ADAPTER	1
ADDITIONAL STRAINERS			
	0114-014068	50 Mesh	
	0114-014221	70 Mesh	

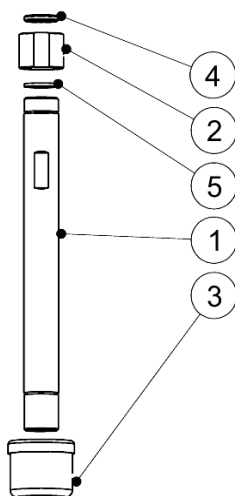
ACCESSORIES



0115-010664

AIR CONTROL 2 REGULATORS (MXL)

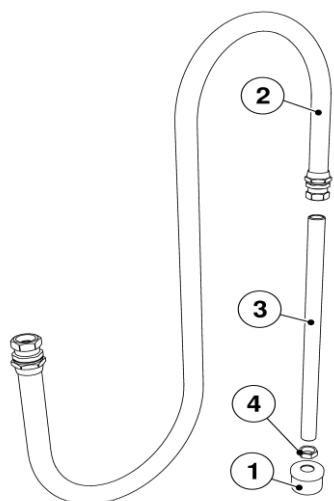
ITEM	PART NO.	DESCRIPTION	QTY
1	0115-010694	Ø12 NYLON TUBE	0.32
2	0115-010666	Ø12 ELBOW	1
3	ZZ-3073	AIR REGULATOR	2
4	0114-019209	REDUCING BUSH	2
5	GA-382-P	PRESSURE GAUGE	2
6	MPV-10	QD STEM 1/4 BSP M	1
7	0115-010667	Ø8 ELBOW	1



0115-010670

SUCTION TUBE (MX)

ITEM	PART NO.	DESCRIPTION	QTY
1	0115-010105	SUCTION TUBE	1
2	0115-010104	ADAPTER	1
3	0115-010668	3/4" STRAINER 15 MESH	1
4	0115-010693	SEAL	1
5	0114-013834	SEAL	1



0115-010696

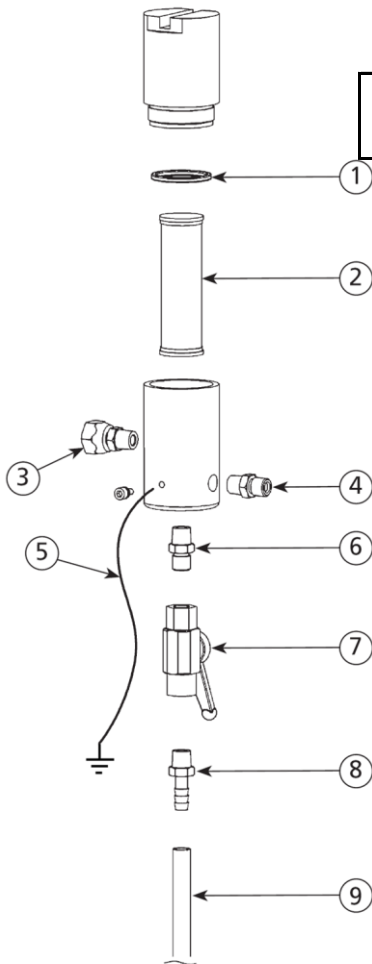
1/2" SUCTION HOSE (MXL)

ITEM	PART NO.	DESCRIPTION	QTY
1	0115-010704	1/2" STRAINER 30 MESH	1
2	0115-010698	1/2" HOSE	1
3	0115-010697	TUBE	1
4	0115-010728	NUT	1

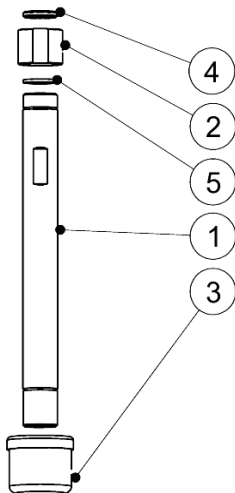
ACCESSORIES

**0110-009130
HIGH PRESSURE FILTER**

272 bar Max, 100 MESH
3/8" BSP F INLET, 1/4" NPSM OUTLET



ITEM	PART NO.	DESCRIPTION	QTY
1	0114-016061	SEAL	1
2	0110-009132	FILTER 100 MESH	1
3	0114-016058	3/8" BSP SWIVEL	1
4	0114-016059	1/4" NPSM NIPPLE	1
5	0114-011798	GROUND WIRE KIT	1
6	0114-019090	1/4" NIPPLE	1
7	0114-019091	BALL VALVE	1
8	0114-019985	HOSE NIPPLE	1
9	0110-009103	DUMP HOSE	1
ADDITIONAL FILTERS			
	0110-009131	50 MESH	
	0110-009133	150 MESH	
	0110-009134	200 MESH	

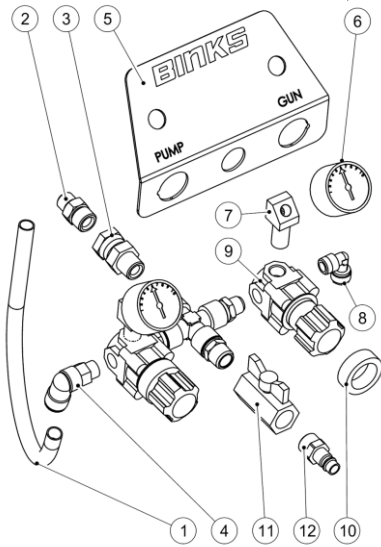


**0115-010699
1/2" SUCTION TUBE (MXL)**

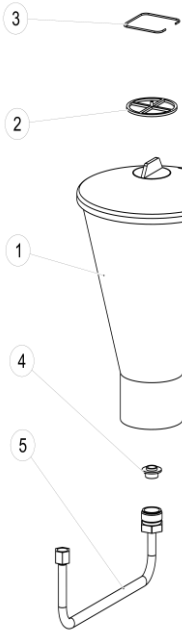
ITEM	PART NO.	DESCRIPTION	QTY
1	0115-010702	SUCTION TUBE	1
2	0115-010703	ADAPTER	1
3	0115-010704	3/4" STRAINER 15 MESH	1
4	0115-010165	SEAL	1
5	0115-010165	SEAL	1

ACCESSORIES

**0115-010180
AIR CONTROLS (MX)**



ITEM	PART NO.	DESCRIPTION	QTY
1	0115-010694	Ø12 TUBE	0.32
2	0115-010157	MOUNTING STUD	1
3	0115-010324	3/8" BSP SWIVEL	1
4	0115-010666	Ø12 ELBOW	1
5	0115-010680	PANEL	1
6	GA-382-P	PRESSURE GAUGE	2
7	DVX-56	GAUGE BLOCK	2
8	0115-010667	Ø8 ELBOW	1
9	ZZ-3073	AIR REGULATOR	2
10	DVX-58	REGULATOR NUT	2
11	0115-010684	3/8" BALL VALVE	1
12	0110-009091	3/8" QD STEM	1



0115-010701

HOPPER 6L [1.6 US Gal] [1/2" CONNECTION]

ITEM	PART NO.	DESCRIPTION	QTY
1	ZZ-2571	HOPPER	1
2	00-00-0002147	FILTER	1
3	00-00-0002148	TENSION RING	1
4	ZZ-2587	PTFE SEAL	1
5	0115-010707	SUCTION TUBE	1



PUMP LUBRICATION

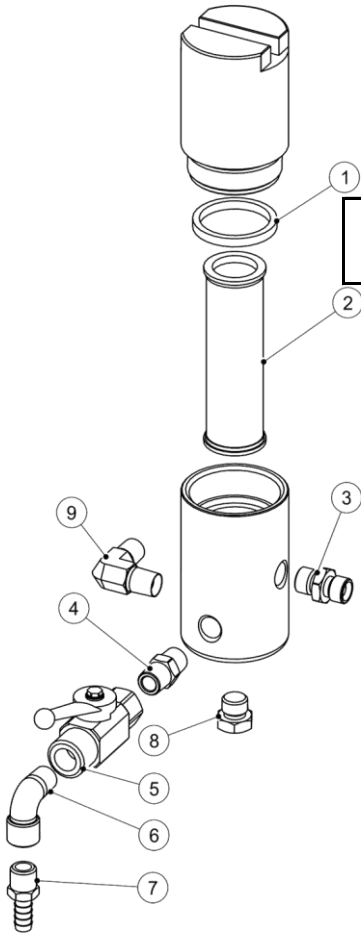
0114-016099	0.25L LUBRICATION-SOLVENT BASED
0114-016100	0.25L LUBRICATION-WATER BASED
0114-014871	0.25L LUBRICATION-WATER BASED
0114-009433	0.25L LUBRICATION-SOLVENT BASED

ACCESSORIES

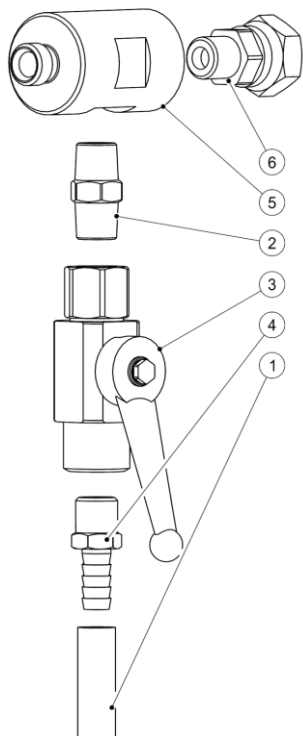
0115-010200
HIGH PRESSURE FILTER (PAIL)

272 bar Max, 100 MESH

3/8" BSP F INLET, 1/4" NPSM OUTLET



ITEM	PART NO.	DESCRIPTION	QTY
1	0114-016061	SEAL	1
2	0110-009132	FILTER SCREEN 100 MESH	1
3	0114-013730	1/4" NPSM NIPPLE	1
4	0114-019090	NIPPLE	1
5	0114-019091	BALL VALVE	1
6	0114-0200027	ELBOW	1
7	0114-019985	HOSE CONNECTOR	1
8	0115-010600	PLUG	1
9	20-2828	ELBOW	1
10	0114-011798	GROUND WIRE (NOT SHOWN)	1
ADDITIONAL FILTERS			
	0110-009131	50 MESH	
	0110-009133	150 MESH	
	0110-009134	200 MESH	



0115-010672
DUMP VALVE KIT

272 bar Max

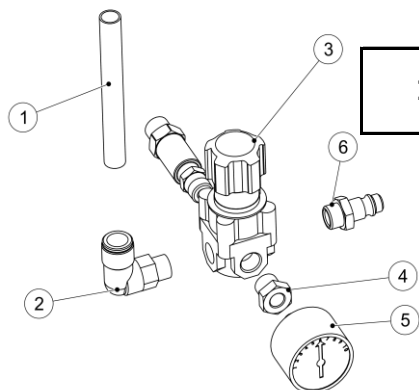
1/4"NPSM F SWIVEL - 1/4" BSP/NPS M

ITEM	PART NO.	DESCRIPTION	QTY
1	0110-009103	DUMP HOSE	0.6
2	0114-019090	NIPPLE	1
3	0114-019091	BALL VALVE	1
4	0114-019985	HOSE CONNECTOR	1
5	0115-010673	MANIFOLD	1
6	0115-010674	SWIVEL NUT	1

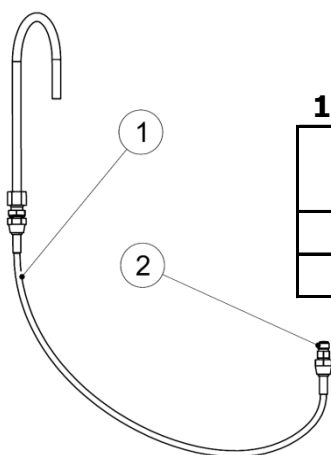
ACCESSORIES

0115-010708

AIR CONTROL 1 REGULATOR (MXL)



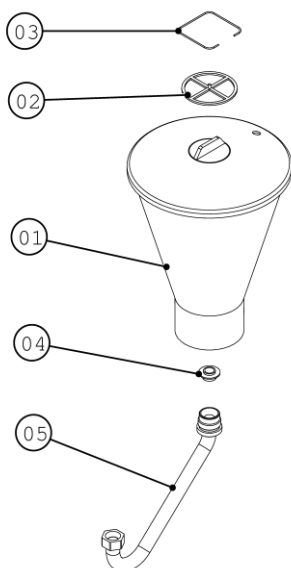
ITEM	PART NO.	DESCRIPTION	QTY
1	0115-010694	Ø12 TUBE	0.32
2	0115-010666	Ø12 ELBOW	1
3	ZZ-3073	AIR REGULATOR	1
4	0114-019209	REDUCING BUSH	1
5	GA-382-P	PRESSURE GAUGE	1
6	MPV-10	QD STEM 1/4 BSP M	1

0115-010712
1/4" RETURN HOSE


ITEM	PART NO.	DESCRIPTION	QTY
1	DVX-115	DUMP HOSE & TUBE	1
2	0114-016059	1/4" FITTING	1

0115-010726

HOPPER 6L [1.6 US Gal] [3/4" CONNECTION]



ITEM	PART NO.	DESCRIPTION	QTY
1	ZZ-2571	HOPPER	1
2	00-00-0002147	FILTER	1
3	00-00-0002148	TENSION RING	1
4	ZZ-2587	PTFE SEAL	1
5	0114-016041	SUCTION TUBE	1

NOTES

NOTES

WARRANTY POLICY

Binks products are covered by Carlisle Fluid Technologies five year materials and workmanship limited warranty. The use of any parts or accessories, from a source other than Carlisle Fluid Technologies, will void all warranties. For specific warranty information please contact the closest Carlisle Fluid Technologies location listed below.

Carlisle Fluid Technologies reserves the right to modify equipment specifications without prior notice. DeVilbiss®, Ransburg®, MS®, BGK® and Binks® are registered trademarks of Carlisle Fluid Technologies, Inc.

© 2017 Carlisle Fluid Technologies, Inc.

All rights reserved.

Binks is part of Carlisle Fluid Technologies, a global leader in innovative finishing technologies. For technical assistance or to locate an authorized distributor, contact one of our international sales and customer support locations below.

USA/Canada

www.binks.com
info@carlisleft.com
Toll Free Tel: 1-888-992-4657
Toll Free Fax: 1-888-246-5732

Mexico

www.carlisleft.com.mx
ventas@carlisleft.com.mx
Tel: 011 52 55 5321 2300
Fax: 011 52 55 5310 4790

Brazil

www.devilbiss.com.br
vendas@carlisleft.com.br
Tel: +55 11 5641 2776
Fax: +55 11 5641 1256

United Kingdom

www.carlisleft.eu
info@carlisleft.eu
Tel: +44 (0)1202 571 111
Fax: +44 (0)1202 573 488

France

www.carlisleft.eu
info@carlisleft.eu
Tel: +33(0)475 75 27 00
Fax: +33(0)475 75 27 59

Germany

www.carlisleft.eu
info@carlisleft.eu
Tel: +49 (0) 6074 403 1
Fax: +49 (0) 6074 403 281

China

www.carlisleft.com.cn
mkt@carlisleft.com.cn
Tel: +8621-3373 0108
Fax: +8621-3373 0308

Japan

www.ransburg.co.jp
overseas-sales@carlisleft.co.jp
Tel: 081 45 785 6421
Fax: 081 45 785 6517

Australia

www.carlisleft.com.au
sales@carlisleft.com.au
Tel: +61 (0) 2 8525 7555
Fax: +61 (0) 2 8525 7575



SOLUTIONS FOR YOUR WORLD