



Main Features

- **Stainless steel fluid sections** – ideal for waterborne, solvent based and xirallic materials.
- **True useable flow rate** – up to 30 litres / min.
- **Maximum volume achieved** – at 40 cycles per minute.
- **2 Piston Construction**
- **Reciprocating drive** – achieved by a rotating constant velocity cam and a sliding carriage mechanism.
- **Equal thrust on each stroke** – gives constant flow and pressure with the special cam profile thus reducing fluid pressure fluctuations to a minimum.
- **The operating speed is adjusted** – by an AC frequency inverter between 20 and 80 HZ and can be controlled infinitely within this working range either manually or automatically.
- **Minimal Pulsation** at pump stroke change over (no surge chamber required)

Description

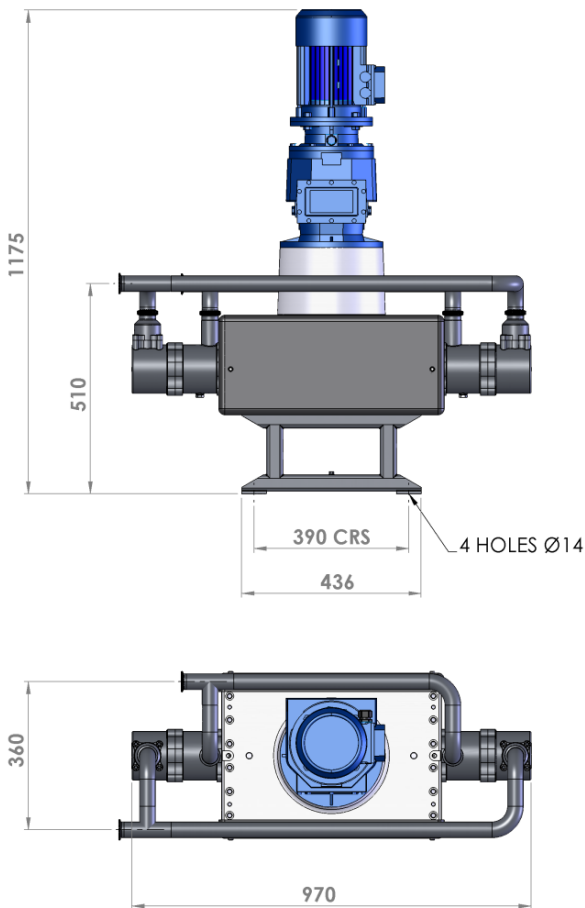
The E2-30 smart pump uses a standard EExd 4 pole AC electric motor to drive the fluid section, for pumping paints, solvents and other suitable materials.

The unit combines conventional electrical hardware to achieve optimum operating performance at a lower cost. Running costs are much lower than compressed air driven models. When used with an optional smart card even higher savings in running cost can be realised, by running in a open or closed loop mode which delivers the paint to the user point at the correct pressure and volume only when needed.

The Model E2 Electric Pump achieves a reciprocating drive by using a cam and cam followers combined with a sliding carriage unit. Equal thrust on each stroke together with the special cam profile reduces fluid pressure fluctuations to an absolute minimum.

Specifications

| Description | Unit |
|--|---|
| Nominal stroke | 50mm /1.97" |
| Part Number | 107071 (EU) 107074 (USA) 107075 (Japan) |
| Max fluid pressure | 20 bar / 290 psi |
| Fluid output @ 20HZ (10 cycles per minute) | 7.5 Litres / 2.0 US Gal |
| Fluid output @ 80 HZ (40 cycles per minute) | 30 Litres / 8.0 US Gal |
| Fluid Connections | Inlet and Outlet - 1 ½" Sanitary |
| Electric Motor | EU/Japan: 400V 3PH 1.5 kW @ 50HZ 4 Pole USA: 400V 3PH 2.0 HP @ 60HZ 4 Pole |
| Total weight of pump | 250 kg (550 lbs) |



Accessories

| Part. No. | Description |
|-----------|---|
| 192009 | 1½" Sanitary Clamp |
| 192800 | Smart Card |
| 192008 | 1½" Sanitary Gasket |
| 192547 | Pressure Transducer (4-20mA / 0-25 Bar) |
| 192720 | Sensor Mounting Manifold 1½" Sanitary |
| 104048 | Pressure Relief Valve - 1½" Sanitary |