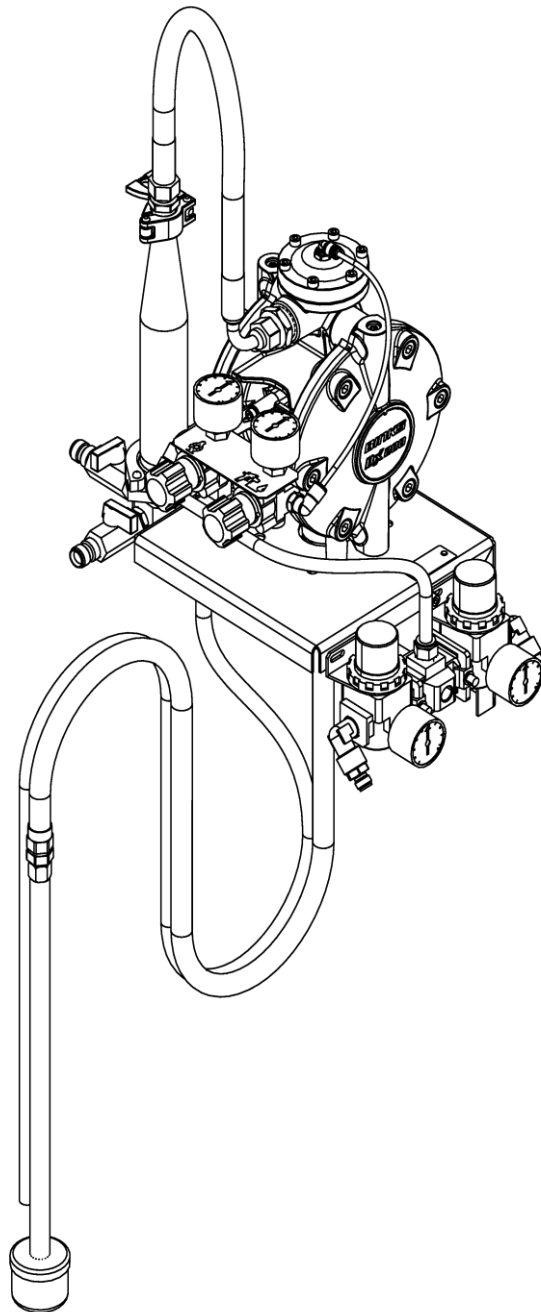


DX200

Pump Packages

(DX200A## & DX200S##)



Patent US9447780

Product Description / Object of Declaration: Diaphragm Pumps - DX70, DX200, DX200-3 Bare pump and packages

EN

This Product is designed for use with: Solvent and Water based Materials

Suitable for use in hazardous area: Zone 1

Protection Level: II 2 G c X IIB T4

Notified body details and role: Element Materials Technology (0891)
Lodging of Technical file

This Declaration of conformity / incorporation is issued under the sole responsibility of the manufacturer: Carlisle Fluid Technologies UK Ltd,
Ringwood Road,
Bournemouth, BH11 9LH. UK

EU Declaration of Conformity



The object of the declaration described above is in conformity with the relevant Union harmonisation legislation:

Machinery Directive 2006/42/EC

ATEX Directive 2014/34/EU

by complying with the following statutory documents and harmonized standards:

EN ISO 12100:2010 Safety of Machinery - General Principles for Design

EN 12621:+A1:2010 Machinery for the supply and circulation of coating materials under pressure - Safety requirements

EN1127-1:2011 Explosive atmospheres - Explosion prevention - Basic concepts

EN 13463-1:2009 Non electrical equipment for use in potentially explosive atmospheres - Basic methods and requirements



EN 13463-5:2011 Non electrical equipment for use in potentially explosive atmospheres - Protection by constructional safety

Providing all conditions of safe use / installation stated within the product manuals have been complied with and also installed in accordance with any applicable local codes of practice.

Signed for and on behalf of Carlisle Fluid
Technologies UK Ltd:

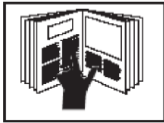
D Smith
4/1/17

Director of Sales (EMEA)
Bournemouth, BH11 9LH, UK

 WARNING	 CAUTION	NOTE
Hazards or unsafe practices which could result in severe personal injury, death or substantial property damage.	Hazards or unsafe practices which could result in minor personal injury, product or property damage	Important installation, operation or maintenance information.

 **WARNING**

Read the following warnings before using this equipment.



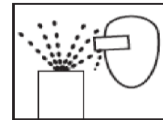
READ THE MANUAL. Before operating finishing equipment, read and understand all safety, operation and maintenance information provided in the operation manual.



AUTOMATIC EQUIPMENT. Automatic equipment may start suddenly without warning.



WEAR SAFETY GLASSES. Failure to wear safety glasses with side shields could result in serious eye injury or blindness.



PROJECTILE HAZARD. You may be injured by venting liquids or gases that are released under pressure, or flying debris.



DE-ENERGIZE, DE-PRESSURISE, DISCONNECT AND LOCK OUT ALL POWER SOURCES DURING MAINTENANCE. Failure to de-energize, disconnect and lock out all power supplies before performing equipment maintenance could cause serious injury or death.



KNOW WHERE AND HOW TO SHUT OFF THE EQUIPMENT IN CASE OF AN EMERGENCY.



NOISE LEVELS. The A-weighted sound level of pumping and spray equipment may exceed 85 dB(A) depending on equipment settings. Actual noise levels are available on request. It is recommended that ear protection is worn at all times while equipment is in use.



PRESSURE RELIEF PROCEDURE. Always follow the pressure relief procedure in the equipment instruction manual.



INSPECT THE EQUIPMENT DAILY. Inspect the equipment for worn or broken parts on a daily basis. Do not operate the equipment if you are uncertain about its condition.



OPERATOR TRAINING. All personnel must be trained before operating finishing equipment.



EQUIPMENT MISUSE HAZARD. Equipment misuse can cause the equipment to rupture, malfunction or start unexpectedly and result in serious injury.



PACEMAKER WARNING. You are in the presence of magnetic fields which may interfere with the operation of certain pacemakers.



HIGH PRESSURE CONSIDERATION. High pressure can cause serious injury. Relieve all pressure before servicing. Spray from the gun, hose leaks or ruptured components can inject fluid into your body and cause extremely serious injury.



KEEP EQUIPMENT GUARDS IN PLACE. Do not operate the equipment if the safety devices have been removed.



STATIC CHARGE. Fluid may develop a static charge that must be dissipated through proper grounding of the equipment, objects to be sprayed and all other electrically conductive objects in the dispensing area. Improper grounding or sparks can cause a hazardous condition and result in fire, explosion or electric shock and other serious injury.



NEVER MODIFY THE EQUIPMENT. Do not modify the equipment unless the manufacturer provides written approval.



PROP 65 WARNING. WARNING: This product contains chemicals known to the state of California to cause cancer and birth defects or other reproductive harm.



PINCH POINT HAZARD. Moving parts can crush and cut. Pinch points are any areas where there are moving parts.

IT IS THE RESPONSIBILITY OF THE EMPLOYER TO PROVIDE THIS INFORMATION TO THE OPERATOR OF THE EQUIPMENT.

Package - part numbers

DX200	A	R	3	-	W	F
--------------	----------	----------	----------	----------	----------	----------

Pump Body Material

A	Aluminium
AE	Aluminium - Enamel
S	Stainless Steel
SE	Stainless Steel - Enamel

Regulator Type

R	Fluid Regulator
N	No Fluid Regulator
P	Pulsation Chamber

Air Regulators

1	1 Regulator
2	2 Regulators
22	
3	3 Regulators

Options

-	No Option
A	Agitator
F	Filter

Mounting Type

C	Cart
W	Wall
T	Tripod
P	Pail

Note

Not all parts shown are included, depending on package ordered.

Prior To Use

This product should be flushed with a suitable compatible solvent prior to use.

Mount the pump securely and position the pump at a convenient height to allow for maintenance.

Attach flexible hoses to all connections. Connect a regulated air supply to the air connection.

Set the pump speed to a slow cycle rate and prime the pump to remove any air before increasing pressure.

Fluid Regulator Air Pilot

Set the air regulator pressure to give the desired fluid flow.

The pump inlet pressure should nominally be 1 bar [15 PSI] higher.

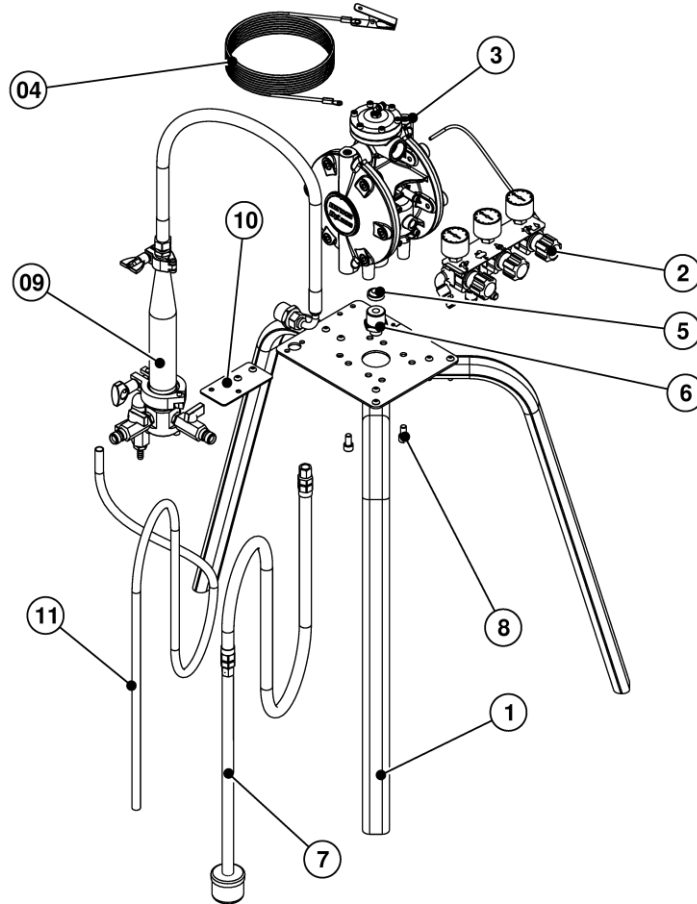
ATEX special conditions for safe use:**Pump Earthing**

The pump must be earthed at all times. A resistance $<1\Omega$ when measuring with an ohm-meter at the earth point

Earth connection, Binks Part No. 0114-011798

Tripod Mounted Pumps

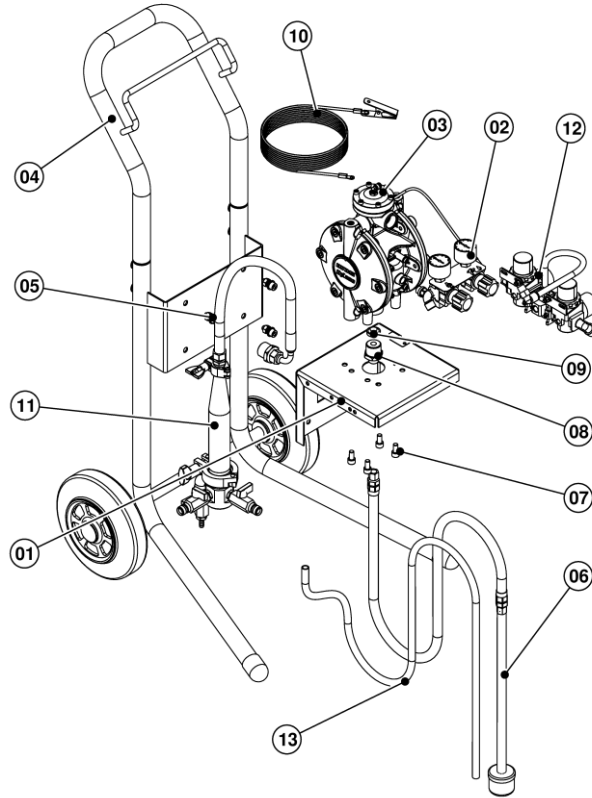
EN



Item	Part number	Description	See figure	Used On	
				DX200A#	DX200S#
1	DXA-T	DX tripod assembly	F1	✓	✓
2	DXA-AC#-200	Air controls	F3	✓	✓
3	DX200# #	Bare pump	-	✓	✓
4	0114-011798	Grounding cable 4m	-	✓	✓
5	DXK-220	Seal - pack of 4	-	✓	-
	DXK-230		-	-	✓
6	DVX-244	Adapter - 1/2" BSPP (M)	-	-	✓
	DVX-231	Adapter - 3/8" BSPP (M)	-	✓	-
7	DXA-S25-13S-ME15	Suction hose	F2	-	✓
	DXA-S25ME15			✓	-
8	DXK-106	Screw kit	-	✓	✓
9	DXA-F6ME100-200	Filter assembly	F4	✓	-
	DXA-F6ME100-200S			-	✓
10	DXK-277	Filter mounting kit	-	✓	✓
11	0110-009103	Ø10mm Hose	-	✓	✓

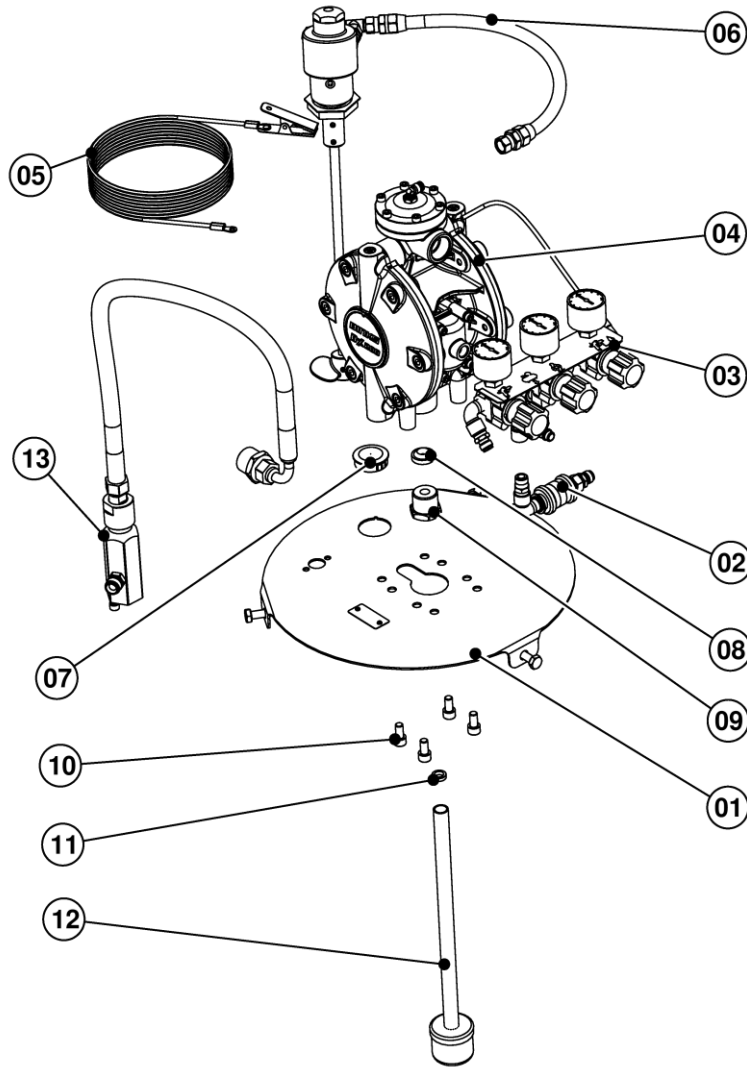
Cart & Wall Mounted Pumps

EN



Item	Part number	Description	See figure	Used On	
				DX200A#	DX200S#
1	DVX-101	Wall bracket	-	✓	✓
2	DXA-AC#-200	Air controls	F3	✓	✓
3	DX200# #	Bare pump	-	✓	✓
4	0115-010186	Cart	-	✓	✓
5	DXK-101	Screw kit	-	✓	✓
6	DXA-S25-13S-ME15	Suction hose	F2	-	✓
	DXA-S25ME15			✓	-
7	DXK-106	Screw kit	-	✓	✓
8	DVX-244	Adapter - 1/2" BSPP (M)	-	-	✓
	DVX-231	Adapter - 3/8" BSPP (M)	-	✓	-
9	DXK-220	Seal - pack of 4	-	✓	-
	DXK-230		-	-	✓
10	0114-011798	Grounding cable 4m	-	✓	✓
11	DXA-F6ME100-200	Filter assembly	F4	✓	-
	DXA-F6ME100-200S			-	✓
12	DXA-GAC2	Air controls - 2 sprayguns	F3	✓	✓
13	0110-009103	Ø10mm Hose	-	✓	✓

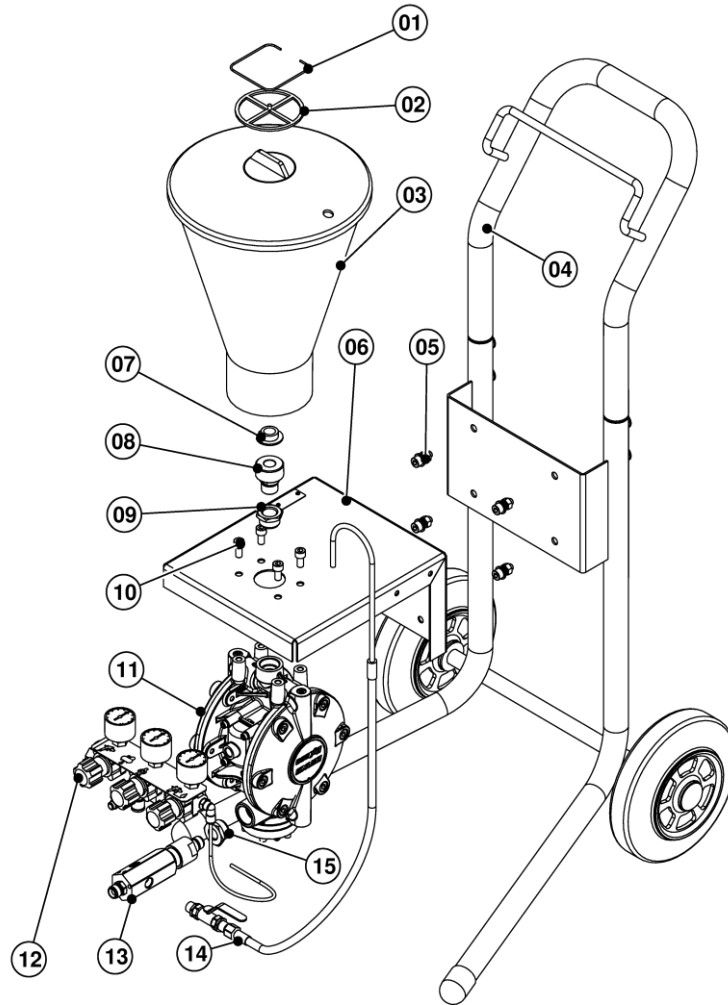
Pail Mounted Pumps



Item	Part number	Description	See figure	Used On	
				DX200A#	DX200S#
1	DVX-116	Pail Lid	-	✓	-
2	DXA-AF	Agitator air supply	-	✓	-
3	DXA-AC#	Air controls	F3	✓	-
4	DX200##	Bare pump	-	✓	-
5	0114-011798	Grounding cable 4m	-	✓	-
6	41-3312-S	Agitator	-	✓	-
7	0115-010337	Blanking Plug	-	✓	-
8	DXK-220	Seal - pack of 4	-	✓	-
9	DVX-229	Adapter 3/8" BSPP (F)	-	✓	-
10	DXK-106	Screw kit	-	✓	-
11	DXK-107	Seal - pack of 4	-	✓	-
12	DXA-P25ME15	Pail Suction Tube	F5	✓	-
13	DXA-F10ME100-200P	Filter assembly	F4	✓	-

Hopper feed pumps

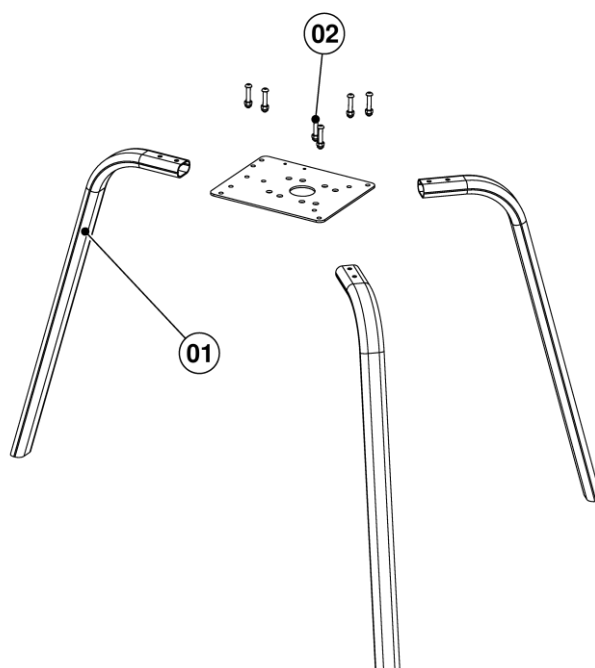
EN



Item	Part number	Description	See figure	Used On	
				DX200A#	DX200S#
1	00-00-0002148	Tension ring	-	✓	✓
2	00-00-0002147	Filter	-	✓	✓
3	ZZ-2571	6L [1.6 US Gal] Hopper	-	✓	✓
4	0115-010186	Cart	-	✓	✓
5	DXK-101	Screw kit	-	✓	✓
6	DVX-101	Wall bracket	-	✓	✓
7	ZZ-2587	PTFE Seal	-	✓	✓
8	ZZ-2570	Adapter	-	✓	✓
9	DVX-321	Reducing Bush	-	✓	-
10	DXK-106	Screw kit	-	✓	✓
11	DX200##	Bare pump	-	✓	✓
12	DXA-AC#	Air controls	F3	✓	✓
13	DXA-F10ME100-200G	Filter assembly	F4	✓	✓
14	DXA-DVG	Dump Valve Kit	-	✓	✓
15	DVX-279	Reducing Bush	-	✓	-
	DVX-280	Reducing Bush	-	-	✓

Reference figures

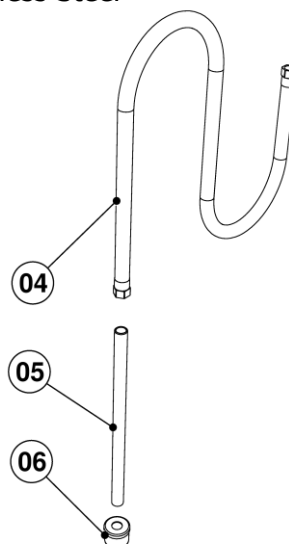
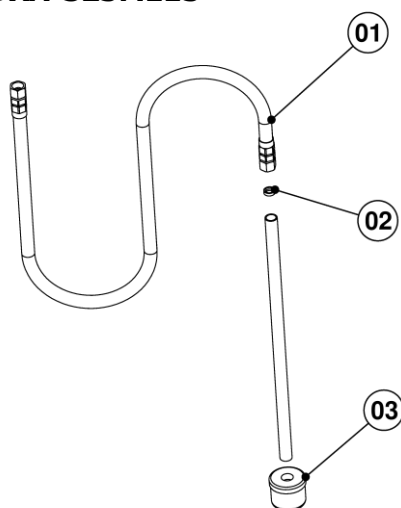
**F1
DXA-T**



Item	Part number	Description
1	0115-010210	Tripod leg
2	DXK-102	Fixing kit

**F2
DXA-S25ME15**

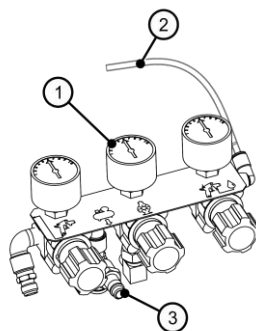
DXA-S25-S13-ME15
Stainless Steel



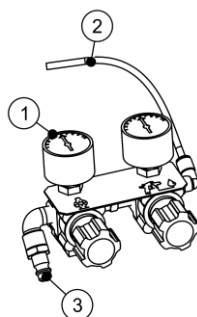
Item	Part number	Description
1	DVX-86	Suction hose
2	DXK-104	Seal - pack of 4
3	DVX-89	Strainer 1300µm/15 mesh
4	DVX-246	Suction hose
5	0115-010697	Tube
6	0115-010704	Strainer 1300µm/15 mesh

Air regulators**F3****DXA-AC3-200** 3 Regulators

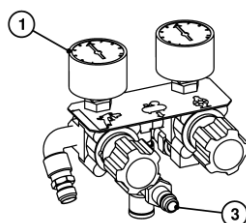
- Pump
- Fluid regulator
- Spraygun

**F3****DXA-AC2-200** 2 Regulators

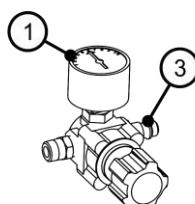
- Pump
- Fluid regulator

**F3****DXA-AC22-200** 2 Regulators

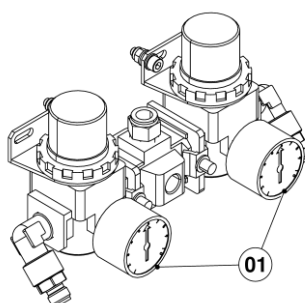
- Pump
- Spraygun

**F3****DXA-AC1-200** 1 Regulator

- Pump

**F3****DXA-GAC2** 2 Regulators

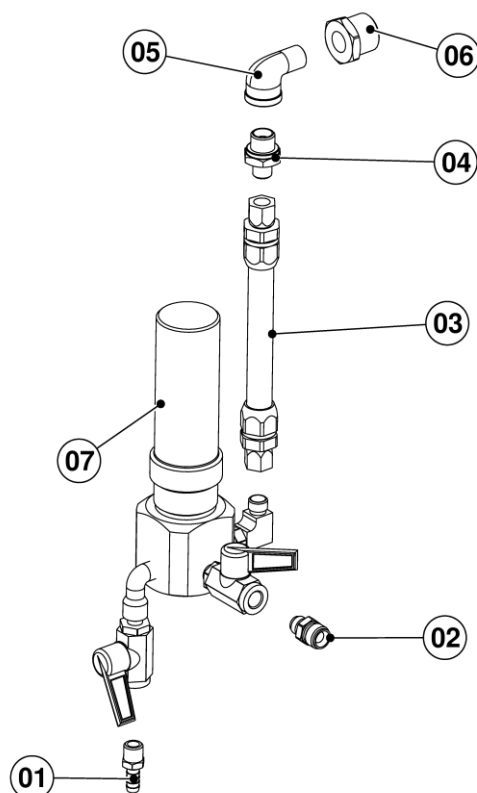
- Spraygun



Item	Part number	Description
1	GA-382-P	Pressure gauge
2	S-1817	Ø4 [5/32"] air tube
3	MPV-10	QD stem 1/4" female

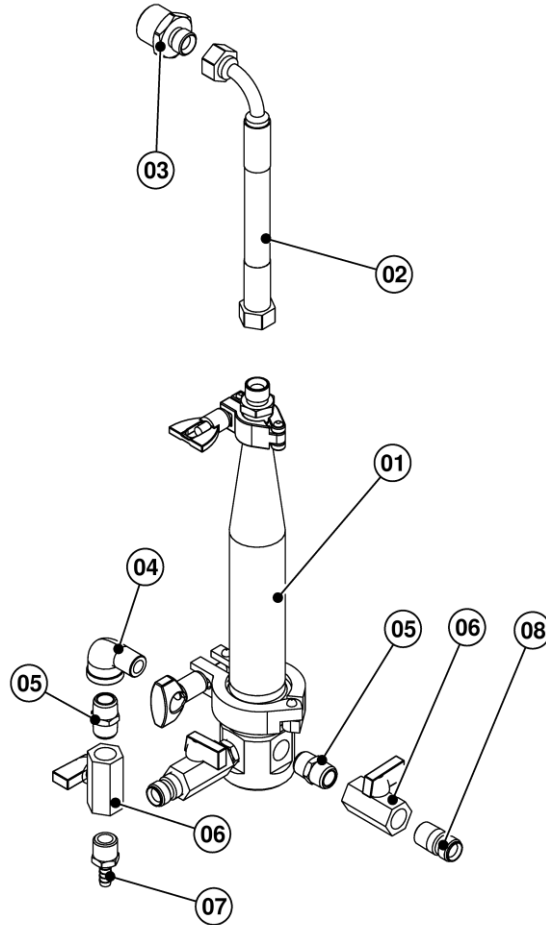
Obsolete Filters**F4****DXA-F6ME100-200****DXA-F6ME100-200N**

Aluminium



Item	Part number	Description	Used On	
			DXA-F6ME100-200	DXA-F6ME100-200N
1	0114-019985	Hose Nipple	✓	✓
2	0114-016021	3/8" x 1/4" universal (BSPP/NPSM) nipple	✓	✓
3	DVX-252	Filter feed hose - Regulated pump	✓	-
	DVX-271	Filter feed hose - Non-regulated pump	-	✓
4	0114-013855	Nipple	✓	-
	DXK-219	3/4" BSP(M) - 3/8" BSP(M) Connector with seals	-	✓
5	DVX-251	Elbow	✓	-
6	DXK-218	3/4" BSP(M) - 3/8" BSP(F) Connector with seals	-	✓
7	DVP-154-A	Filter assembly	✓	✓
8	DVP-156-200	Filter 75 µm/200 mesh	✓	✓
	DVP-156-100	Filter 150 µm/100 mesh	✓	✓
	DVP-156-60	Filter 250 µm/60 mesh	✓	✓
	DVP-156-30	Filter 595 µm/30 mesh	✓	✓
9	DXK-245	Tripod filter mounting kit	✓	✓
10	DXK-246	Wall/cart filter mounting kit	✓	✓

DXA-F6ME100-200
DXA-F6ME100-200S
 Stainless Steel

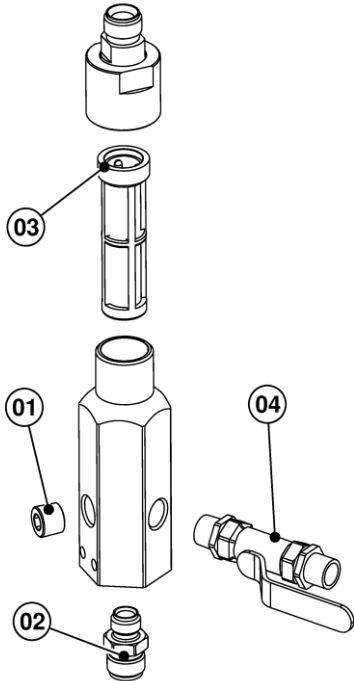


Refer to manual 77-3221 for filter 107925 spares and maintenance.

Item	Part number	Description	Used On	
			DXA-F6ME100-200	DXA-F6ME100-200S
1	107925	Filter assembly	✓	✓
2	DVX-360	Filter feed hose	✓	✓
3	DXK-219	3/4" BSP(M) - 3/8" BSP(M) Connector with seals	✓	-
	DXK-235	1/2" - 3/8" BSPP Male outlet connector kit, with seals	-	✓
4	DVX-251	Elbow	✓	✓
5	0115-010683	Nipple	✓	-
	DVX-355	Nipple	-	✓
6	DVX-277	Ball Valve	✓	-
	DVX-356	Ball Valve	-	✓
7	DVX-357	Hose Nipple	✓	✓
8	180584	Nipple	✓	-
	DVX-355	Nipple	-	✓
9	DXK-278	Stainless steel ball valve & nipple conversion kit	✓	-

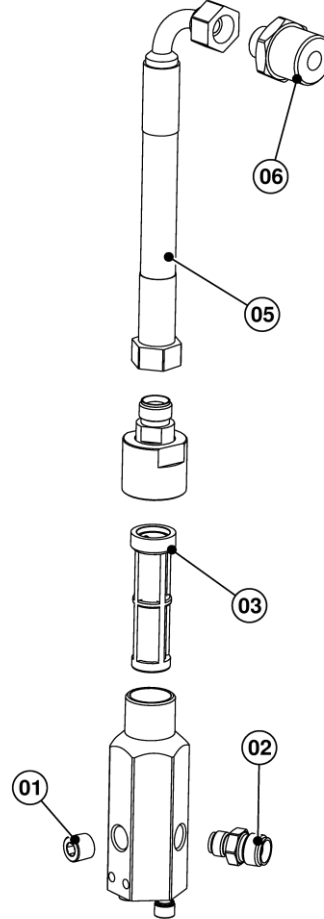
DXA-F10ME100-200G

Stainless Steel



DXA-F10ME100-200P

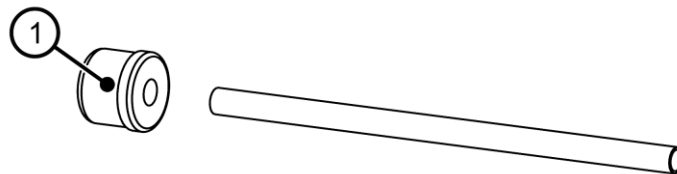
Stainless Steel



Item	Part number	Description
1	0115-010600	Blanking Plug
2	0114-016021	Nipple
3	VS-58	Filter 150 µm/100 mesh
	VS-58-60	Filter 250 µm/60 mesh
4	DVX-113	Ball Valve
5	DVX-360	Filter feed hose
6	DXK-219	3/4" BSP(M) - 3/8" BSP(M) Connector with seals

F5

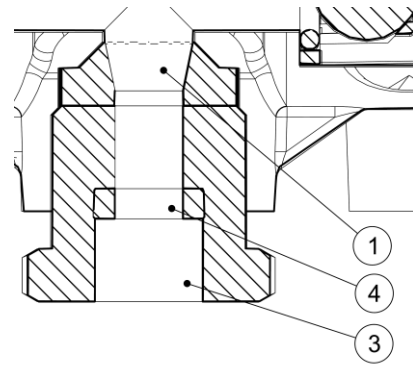
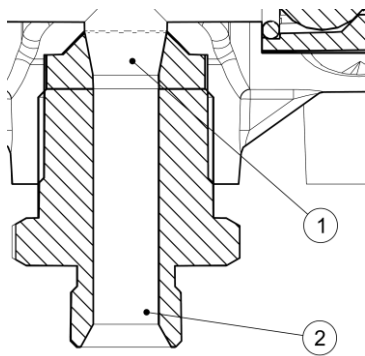
DXA-P25ME15



Item	Part number	Description
1	DVX-89	Strainer 1300µm/15 mesh

Accessories

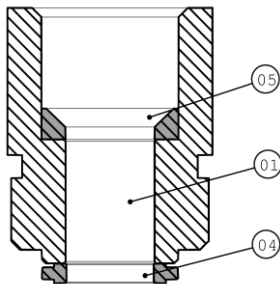
INLET/OUTLET CONNECTORS - DX200A#



Item	Part number	Description
1	DXK-220	Seal x4
2	DXK-219	3/4" BSP(M) - 3/8" BSP(M) Connector with seals
3	DXK-218	3/4" BSP(M) - 3/8" BSP(F) Connector with seals
4	DXK-19	Seal x4

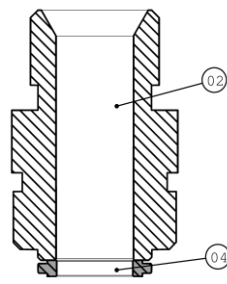
INLET CONNECTORS - DX200S#

1/2" BSPP Female



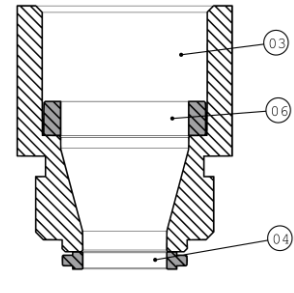
Pump Inlet

1/2" BSPP Male



Pump Inlet

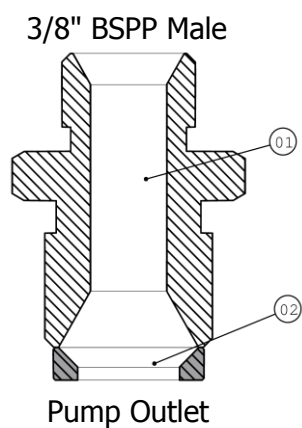
3/4" BSPP Female



Pump Inlet

Item	Part number	Description
1	DXK-232	1/2" BSPP Female inlet connector kit, with seals
2	DXK-233	1/2" BSPP Male inlet connector kit, with seals
3	DXK-234	3/4" BSPP Female inlet connector kit, with seals
4	DXK-230	Seal x4
5	DXK-229	Seal x4
6	DXK-221	Seal x4

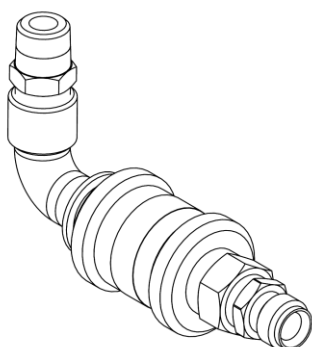
OUTLET CONNECTORS - DX200S#



Item	Part number	Description
1	DXK-235	1/2" - 3/8" BSPP Male outlet connector kit, with seals
2	DXK-229	Seal x4

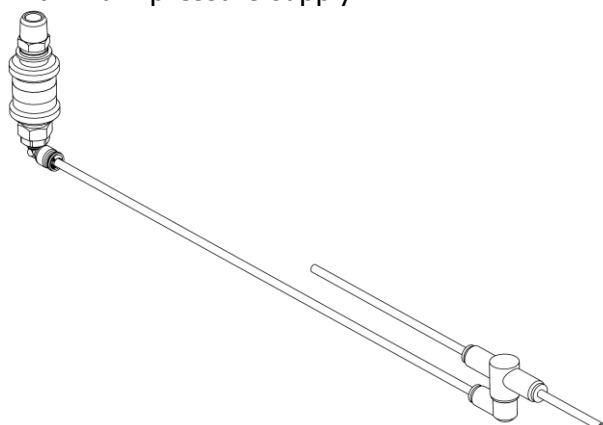
DXA-AF

Agitator air supply



DXA-RP

Fluid regulator maximum pressure supply



WARRANTY POLICY

Binks products are covered by Carlisle Fluid Technologies five year materials and workmanship limited warranty. The use of any parts or accessories, from a source other than Carlisle Fluid Technologies, will void all warranties. For specific warranty information please contact the closest Carlisle Fluid Technologies location listed below.

Carlisle Fluid Technologies reserves the right to modify equipment specifications without prior notice. Devilbiss®, Ransburg®, MS®, BGK® and Binks® are registered trademarks of Carlisle Fluid Technologies, Inc.

© 2017 Carlisle Fluid Technologies, Inc.

All rights reserved.

BINKS®

Binks is part of Carlisle Fluid Technologies, a global leader in innovative finishing technologies. For technical assistance or to locate an authorized distributor, contact one of our international sales and customer support locations below.

USA/Canada

www.binks.com
info@carlisleft.com
Toll Free Tel: 1-800-992-4657
Toll Free Fax: 1-888-246-5732

Mexico

www.carlisleft.com.mx
ventas@carlisleft.com.mx
Tel: 011 52 55 5321 2300
Fax: 011 52 55 5310 4790

Brazil

www.devilbiss.com.br
vendas@carlisleft.com.br
Tel: +55 11 5641 2776
Fax: +55 11 5641 1256

United Kingdom

www.carlisleft.eu
info@carlisleft.eu
Tel: +44 (0)1202 571 111
Fax: +44 (0)1202 573 488

France

www.carlisleft.eu
info@carlisleft.eu
Tel: +33(0)475 75 27 00
Fax: +33(0)475 75 27 59

Germany

www.carlisleft.eu
info@carlisleft.eu
Tel: +49 (0) 6074 403 1
Fax: +49 (0) 6074 403 281

China

www.carlisleft.com.cn
mkt@carlisleft.com.cn
Tel: +8621-3373 0108
Fax: +8621-3373 0308

Japan

www.ransburg.co.jp
overseas-sales@carlisleft.co.jp
Tel: 081 45 785 6421
Fax: 081 45 785 6517

Australia

www.carlisleft.com.au
sales@carlisleft.com.au
Tel: +61 (0) 2 8525 7555
Fax: +61 (0) 2 8525 7575

CARLISLE
FLUID TECHNOLOGIES

DEVILBISS | **Ransburg** | **ms** | **BGK** | **BINKS**